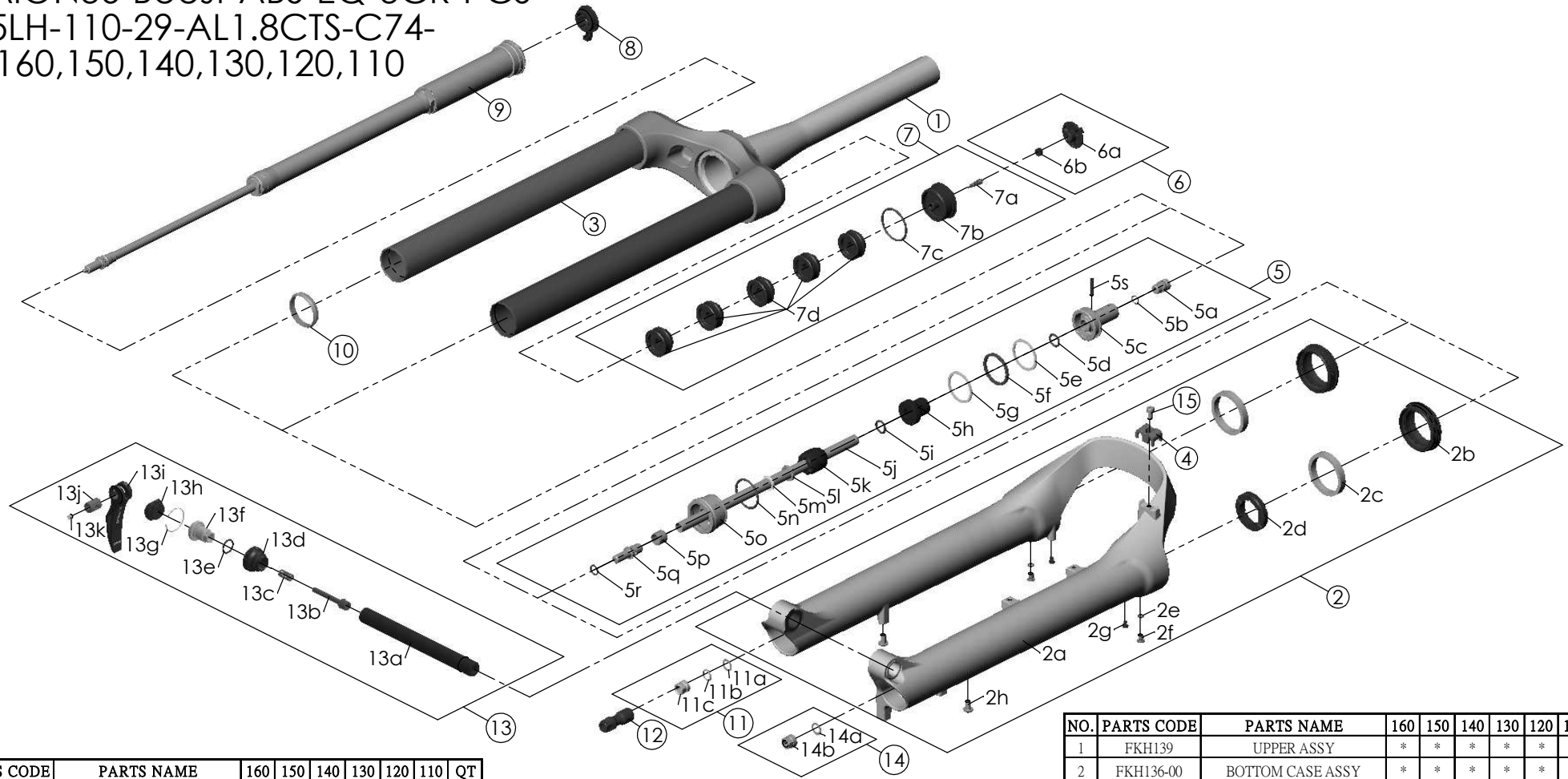


SF23AION36-Boost-ABS-EQ-3CR-PCS-DS-15LH-110-29-AL1.8CTS-C74-O44-160,150,140,130,120,110



| NO. | PARTS CODE | PARTS NAME | 160 | 150 | 140 | 130 | 120 | 110 | QT |
|-----|------------|-------------------|-----|-----|-----|-----|-----|-----|----|
| 7d | FEG270 | VOLUME REDUCER | | * | | | | | 6 |
| | | | | | * | | | | 7 |
| | | | | | | * | | | 8 |
| | | | | | | | * | | 9 |
| | | | | | | * | | 10 | |
| 8 | FKE590-00 | 3CR KNOB ASSY | * | * | * | * | * | * | 1 |
| 9 | FUN210-25 | 3CR-PCS UNIT | * | * | * | * | * | * | 1 |
| 10 | FEG347 | FORK NOSE | * | * | * | * | * | * | 1 |
| 11 | FKE436-04 | FIXING NUT SET | * | * | * | * | * | * | 1 |
| 12 | FEG494-10 | REBOUND KNOB | * | * | * | * | * | * | 1 |
| 13 | FKA116-02 | 15LH-110 AXLE SET | * | * | * | * | * | * | 1 |
| 14 | FKA063-03 | FIXING NUT SET | * | * | * | * | * | * | 1 |
| 15 | FSB513 | GUIDE FIXING BOLT | * | * | * | * | * | * | 1 |

| NO. | PARTS CODE | PARTS NAME | 160 | 150 | 140 | 130 | 120 | 110 | QT |
|-----|------------|-----------------------|-----|-----|-----|-----|-----|-----|----|
| 5 | FKE587-02 | SUPPORT TUBE ASSY-130 | | | | * | | | 1 |
| | FKE587-12 | SUPPORT TUBE ASSY-120 | | | | | * | | 1 |
| | FKE587-22 | SUPPORT TUBE ASSY-110 | | | | | | * | 1 |
| 6 | FKE595 | VALVE CAP ASSY | * | * | * | * | * | * | 1 |
| 7 | FKE594-02 | AIR CAP ASSY | * | | | | | | 1 |
| | FKE594-12 | | * | | | | | 1 | |
| | FKE594-22 | | | * | | | | 1 | |
| | FKE594-32 | | | | * | | | 1 | |
| | FKE594-42 | | | | | * | | 1 | |
| | FKE594-52 | | | | | * | 1 | | |
| 7d | FEG270 | VOLUME REDUCER | * | | | | | 5 | |

| NO. | PARTS CODE | PARTS NAME | 160 | 150 | 140 | 130 | 120 | 110 | QT |
|-----|------------|-----------------------|-----|-----|-----|-----|-----|-----|----|
| 1 | FKH139 | UPPER ASSY | * | * | * | * | * | * | 1 |
| 2 | FKH136-00 | BOTTOM CASE ASSY | * | * | * | * | * | * | 1 |
| 2b | FAA420 | DUST SEAL | * | * | * | * | * | * | 2 |
| 2c | FAA421-10 | OIL WIPER | * | * | * | * | * | * | 2 |
| 2d | FEP233-20 | BOTTOM BUMPER | * | * | * | * | * | * | 1 |
| 2e | FAA270 | O RING | * | * | * | * | * | * | 2 |
| 2f | FSB188 | SEAL SCREW | * | * | * | * | * | * | 2 |
| 2g | FAA200-10 | MOUNT CAP | * | * | * | * | * | * | 2 |
| 2h | FSB203 | FIXING BOLT | * | * | * | * | * | * | 2 |
| 3 | FEG397-40 | O RING | * | * | * | * | * | * | 1 |
| 4 | FEG519 | CABLE CLIP | * | * | * | | | | 1 |
| 5 | FKE587-01 | SUPPORT TUBE ASSY-160 | * | | | | | | 1 |
| | FKE587-11 | SUPPORT TUBE ASSY-150 | | * | | | | | 1 |
| | FKE587-21 | SUPPORT TUBE ASSY-140 | | | * | | | | 1 |