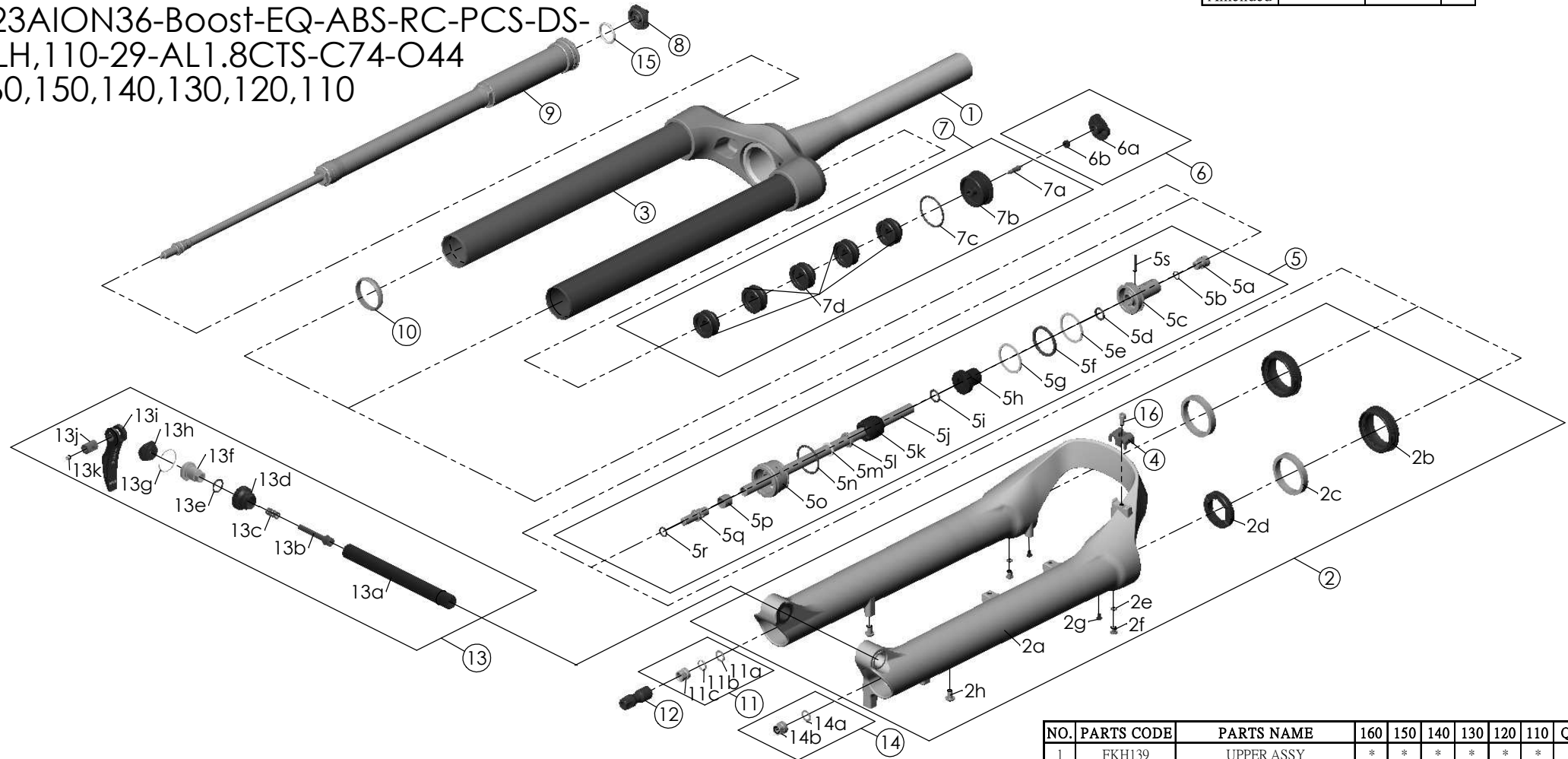


SF23AION36-Boost-EQ-ABS-RC-PCS-DS-15LH,110-29-AL1.8CTS-C74-O44-160,150,140,130,120,110

|         |             |         |   |
|---------|-------------|---------|---|
| Date    | 2022.-08-08 | Version | 0 |
| Amended |             |         |   |



| NO. | PARTS CODE | PARTS NAME        | 160 | 150 | 140 | 130 | 120 | 110 | QT |
|-----|------------|-------------------|-----|-----|-----|-----|-----|-----|----|
| 7d  | FEG270     | VOLUME REDUCER    |     |     | *   |     |     |     | 7  |
|     |            |                   |     |     |     | *   |     |     | 8  |
|     |            |                   |     |     |     |     | *   |     | 9  |
|     |            |                   |     |     |     |     |     | *   | 10 |
| 8   | FEE862     | ADJUST KNOB       | *   | *   | *   | *   | *   | 1   |    |
| 9   | FUN160-75  | RC-PCS UNIT       | *   | *   | *   | *   | *   | 1   |    |
| 10  | FEG347     | FORK NOSE         | *   | *   | *   | *   | *   | 1   |    |
| 11  | FKE436-04  | FIXING NUT SET    | *   | *   | *   | *   | *   | 1   |    |
| 12  | FEG494-10  | REBOUND KNOB      | *   | *   | *   | *   | *   | 1   |    |
| 13  | FAA116-02  | 15LH-110 AXLE SET | *   | *   | *   | *   | *   | 1   |    |
| 14  | FAA063-03  | FIXING NUT SET    | *   | *   | *   | *   | *   | 1   |    |
| 15  | FAA136     | O RING            | *   | *   | *   | *   | *   | 1   |    |
| 16  | FSB153     | GUIDE FIXING BOLT | *   | *   | *   | *   | *   | 1   |    |

| NO. | PARTS CODE | PARTS NAME            | 160 | 150 | 140 | 130 | 120 | 110 | QT |
|-----|------------|-----------------------|-----|-----|-----|-----|-----|-----|----|
| 5   | FKE587-02  | SUPPORT TUBE ASSY-130 |     |     |     | *   |     |     | 1  |
|     | FKE587-12  | SUPPORT TUBE ASSY-120 |     |     |     |     | *   |     | 1  |
|     | FKE587-22  | SUPPORT TUBE ASSY-110 |     |     |     |     |     | *   | 1  |
| 6   | FKE595     | VALVE CAP ASSY        | *   | *   | *   | *   | *   | 1   |    |
| 7   | FKE594-02  | AIR CAP ASSY          | *   |     |     |     |     |     | 1  |
|     | FKE594-12  |                       |     | *   |     |     |     | 1   |    |
|     | FKE594-22  |                       |     |     | *   |     |     | 1   |    |
|     | FKE594-32  |                       |     |     |     | *   |     | 1   |    |
|     | FKE594-42  |                       |     |     |     |     | *   | 1   |    |
|     | FKE594-52  |                       |     |     |     | *   | 1   |     |    |
| 7d  | FEG270     | VOLUME REDUCER        | *   |     |     |     |     | 5   |    |
|     |            |                       |     | *   |     |     |     | 6   |    |

| NO. | PARTS CODE | PARTS NAME            | 160 | 150 | 140 | 130 | 120 | 110 | QT |
|-----|------------|-----------------------|-----|-----|-----|-----|-----|-----|----|
| 1   | FKH139     | UPPER ASSY            | *   | *   | *   | *   | *   | *   | 1  |
| 2   | FKH136-10  | BOTTOM CASE ASSY      | *   | *   | *   | *   | *   | *   | 1  |
| 2b  | FAA420     | DUST SEAL             | *   | *   | *   | *   | *   | *   | 2  |
| 2c  | FAA421-10  | OIL WIPER             | *   | *   | *   | *   | *   | *   | 2  |
| 2d  | FEP233-20  | BOTTOM BUMPER         | *   | *   | *   | *   | *   | *   | 1  |
| 2e  | FAA270     | O RING                | *   | *   | *   | *   | *   | *   | 2  |
| 2f  | FSB188     | SEAL SCREW            | *   | *   | *   | *   | *   | *   | 2  |
| 2g  | FAA200-10  | MOUNT CAP             | *   | *   | *   | *   | *   | *   | 2  |
| 2h  | FSB203     | FIXING BOLT           | *   | *   | *   | *   | *   | *   | 2  |
| 3   | FEG397-40  | O RING                | *   | *   | *   | *   | *   | *   | 1  |
| 4   | FEG519     | CABLE GUIDE           | *   | *   | *   | *   | *   | *   | 1  |
| 5   | FKE587-01  | SUPPORT TUBE ASSY-160 | *   |     |     |     |     |     | 1  |
|     | FKE587-11  | SUPPORT TUBE ASSY-150 |     | *   |     |     |     |     | 1  |
|     | FKE587-21  | SUPPORT TUBE ASSY-140 |     |     | *   |     |     |     | 1  |