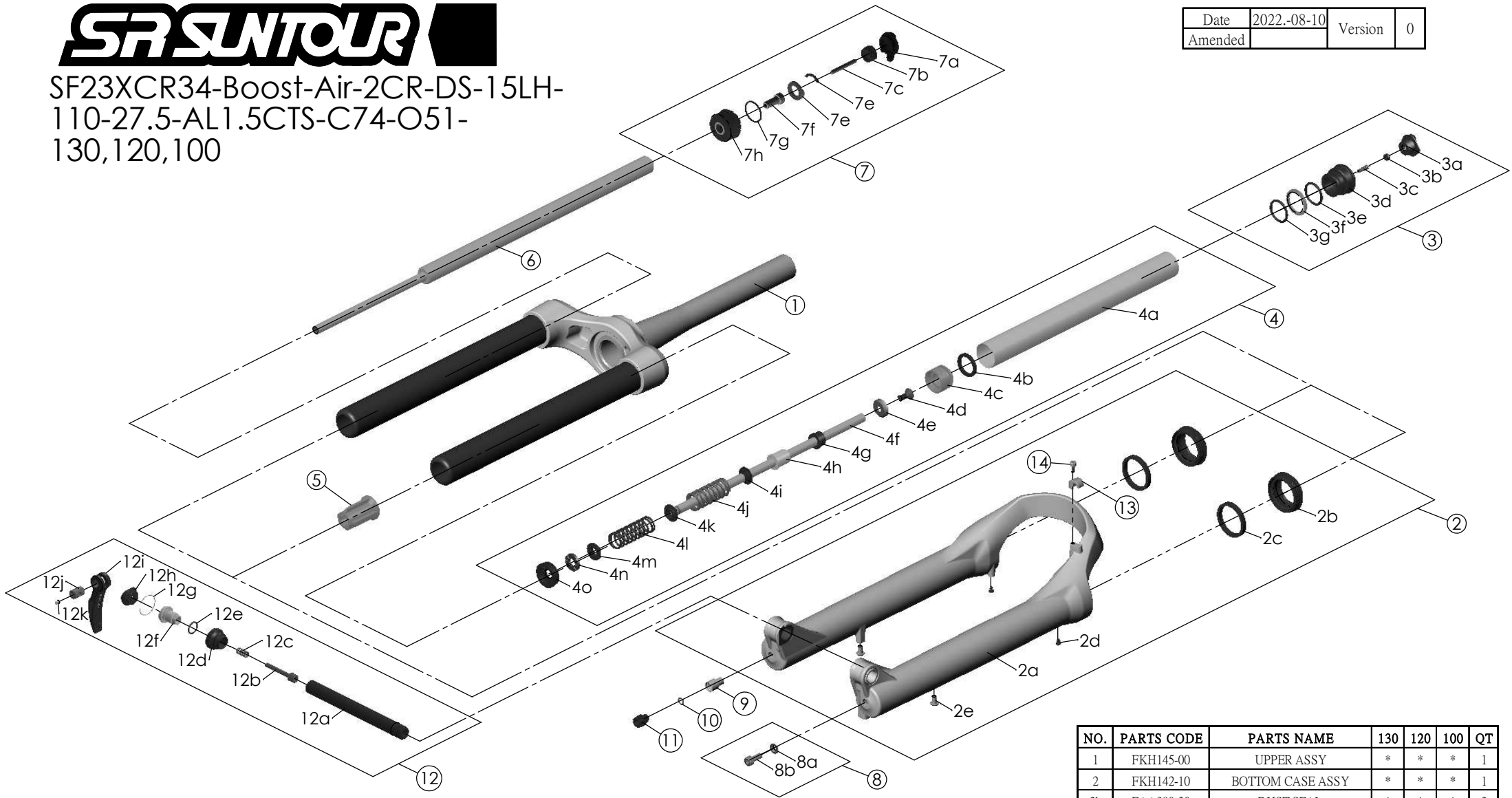




SF23XCR34-Boost-Air-2CR-DS-15LH-  
110-27.5-AL1.5CTS-C74-O51-  
130,120,100

|         |             |         |   |
|---------|-------------|---------|---|
| Date    | 2022.-08-10 | Version | 0 |
| Amended |             |         |   |



| NO. | PARTS CODE | PARTS NAME        | 130 | 120 | 100 | QT | NO. | PARTS CODE | PARTS NAME         | 130 | 120 | 100 | QT |
|-----|------------|-------------------|-----|-----|-----|----|-----|------------|--------------------|-----|-----|-----|----|
| 10  | FAA083     | O RING            | *   | *   | *   | 1  | 5   | FEE799-60  | BOTTOM STOPPER     | *   | *   | *   | 1  |
| 11  | FEE845-10  | REBOUND KNOB      | *   | *   | *   | 1  | 6   | FUN082-40  | LOR UNIT           | *   | *   | *   | 1  |
| 12  | FKA116-02  | 15LH-110 AXLE SET | *   | *   | *   | 1  | 7   | FKE526-09  | LO TOP CAP ASSY    | *   | *   | *   | 1  |
| 13  | FEE797     | BRAKE HOSE GUIDE  | *   | *   | *   | 1  | 8   | FKA044     | FIXING BOLT SET    | *   | *   | *   | 1  |
| 14  | FSB153     | GUIDE FIXING BOLT | *   | *   | *   | 1  | 9   | FSB058     | DAMPER FIXING BOLT | *   | *   | *   | 1  |

| NO. | PARTS CODE | PARTS NAME        | 130 | 120 | 100 | QT |
|-----|------------|-------------------|-----|-----|-----|----|
| 1   | FKH145-00  | UPPER ASSY        | *   | *   | *   | 1  |
| 2   | FKH142-10  | BOTTOM CASE ASSY  | *   | *   | *   | 1  |
| 2b  | FAA390-20  | DUST SEAL         | *   | *   | *   | 2  |
| 2c  | FAA423-10  | OIL WIPER         | *   | *   | *   | 2  |
| 2d  | FAA200-10  | MOUNT CAP         | *   | *   | *   | 2  |
| 2c  | FSB203     | FIXING BOLT       | *   | *   | *   | 2  |
| 3   | FKE075-37  | AIR CAP ASSY      | *   | *   | *   | 1  |
| 4   | FKE565-00  | AIR CYLINDER ASSY | *   |     |     | 1  |
|     | FKE565-01  |                   |     | *   |     | 1  |
|     | FKE565-02  |                   |     |     | *   | 1  |
| 4g  | FEE247-20  | REBOUND SPACER    |     | *   | *   | 1  |
| 4h  | FEE247     | REBOUND SPACER    |     |     | *   | 1  |