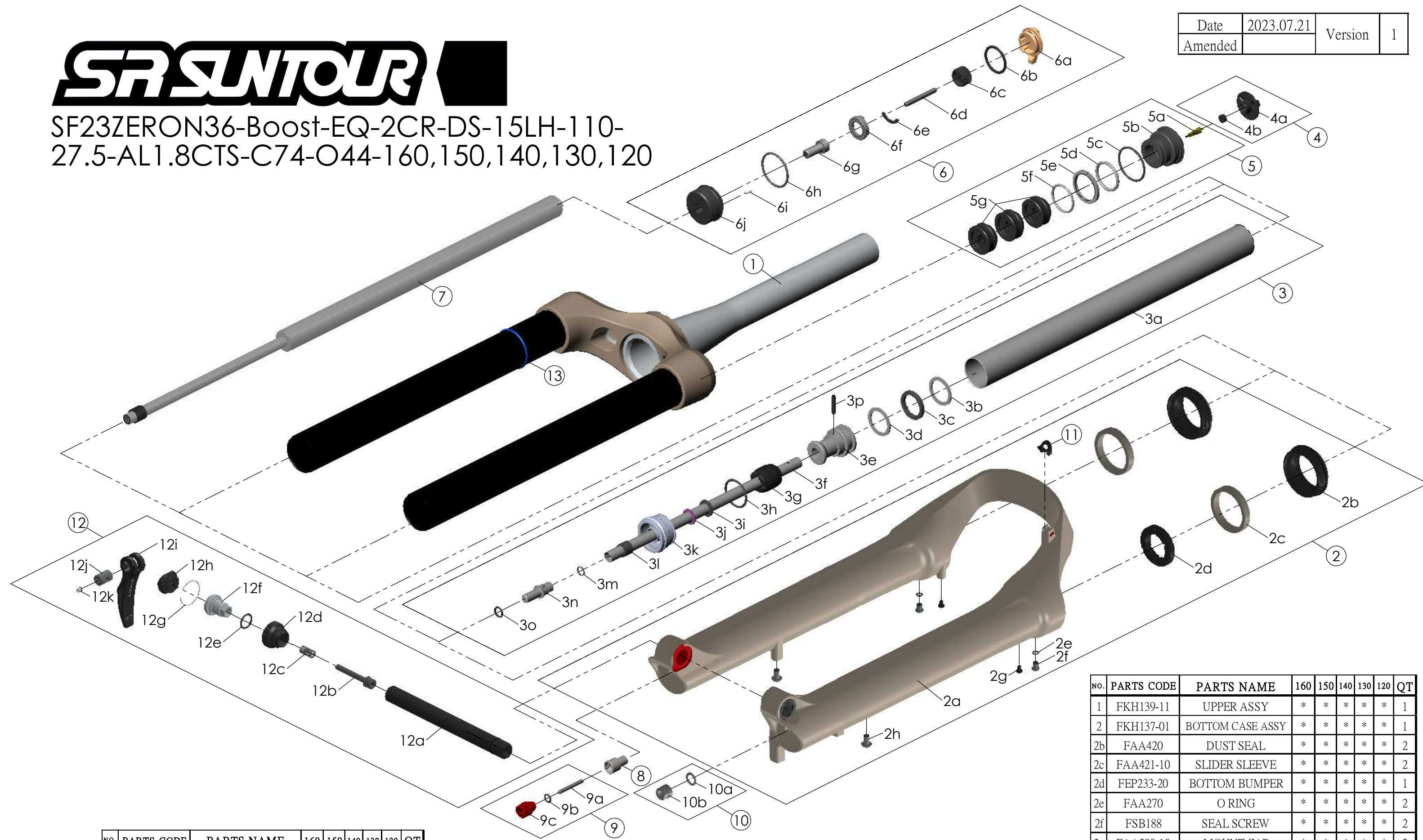




SF23ZERON36-Boost-EQ-2CR-DS-15LH-110-27.5-AL1.8CTS-C74-O44-160,150,140,130,120

Date	2023.07.21	Version	1
Amended			



NO.	PARTS CODE	PARTS NAME	160	150	140	130	120	QT
7	FUN200-65	LOR UNIT	*	*	*	*	*	1
8	FSB058	DAMPER FIXING BOLT	*	*	*	*	*	1
9	FKA004-30	REBOUND KNOB ASSY	*	*	*	*	*	1
10	FKA063-03	FIXING NUT SET	*	*	*	*	*	1
11	FEG034	CABLE CLIP	*	*	*	*	*	1
12	FKA116-02	15LH-110 AXLE SET	*	*	*	*	*	1
13	FAA397-40	O RING	*	*	*	*	*	1

NO.	PARTS CODE	PARTS NAME	160	150	140	130	120	QT
5f	FEG270-10	VOLUME REDUCER	*					3
				*				4
					*			5
						*		6
							*	7
6	FKE526-28	LO TOP CAP ASSY	*	*	*	*	*	1

NO.	PARTS CODE	PARTS NAME	160	150	140	130	120	QT
5	FKE594	AIR CAP ASSY	*					1
	FKE594-10			*				
	FKE594-20				*			
	FKE594-30					*		
	FKE594-40					*		

NO.	PARTS CODE	PARTS NAME	160	150	140	130	120	QT
1	FKH139-11	UPPER ASSY	*	*	*	*	*	1
2	FKH137-01	BOTTOM CASE ASSY	*	*	*	*	*	1
2b	FAA420	DUST SEAL	*	*	*	*	*	2
2c	FAA421-10	SLIDER SLEEVE	*	*	*	*	*	2
2d	FEP233-20	BOTTOM BUMPER	*	*	*	*	*	1
2e	FAA270	O RING	*	*	*	*	*	2
2f	FSB188	SEAL SCREW	*	*	*	*	*	2
2g	FAA200-10	MOUNT CAP	*	*	*	*	*	2
2h	FSB203	FIXING BOLT	*	*	*	*	*	2
3	FKE579-05	AIR CYLINDER ASSY	*					1
	FKE579-15			*				
	FKE579-25				*			
	FKE579-35					*		
	FKE579-45					*		
4	FKE595	VALVE CAP ASSY	*	*	*	*	*	1