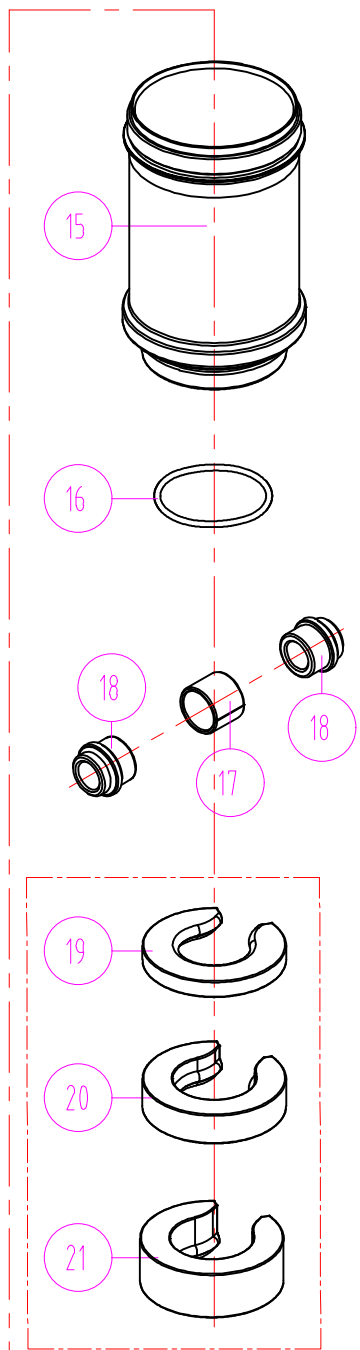
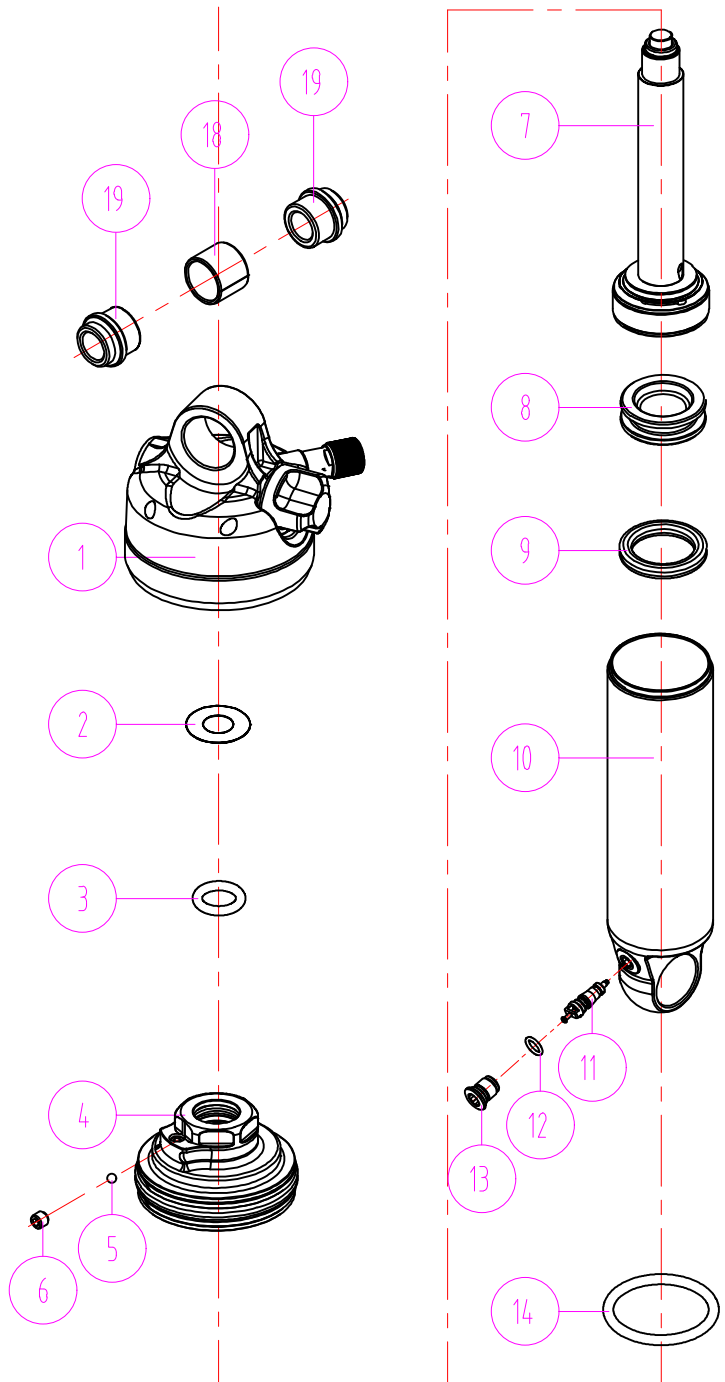


SR SUNTOUR

RS24-EDGEX R

INCH

Date	2023.03.10	Version	1
Amended			



22	減壓塞 O-RING REDUCER-Large	REE320-15			
21	減壓塞 O-RING REDUCER-Medium	REE320-10			
20	減壓塞 O-RING REDUCER-Small	REE320-05			
19	減壓塞 O-RING-φ10	RAA131	4	4	4
	減壓塞 O-RING-φ8	RAA072			
	減壓塞 O-RING-φ6	RAA073			
18	直滑軸承	REE074	2	2	2
17	螺絲	RAA100	1	1	1
16	鋼絲主彈簧組 ASSEMBLY	RBA340-31			1
		RBA340-38		1	
		RBA340-44	1		
15	螺絲	FAA352	1	1	1
14	彈簧蓋 AP	RAA102	1	1	1
13	螺絲	FAA140	1	1	1
12	彈簧 VALVE	FAA170-10	1	1	1
11	球體 BODY	RLB185-31			1
		RLB185-38		1	
		RLB185-44	1		
10	螺絲	RAA046	1	1	1
9	彈簧 O-RING PISTON	REE066	1	1	1
8	球體心銷 PINNLE ASSEMBLY	RBA346-31-10			1
		RBA346-38-10		1	
		RBA346-44-10	1		
6	固定螺絲	PSB103	1	1	1
5	彈簧 O-RING	DS0001	1	1	1
4	彈簧 O-RING SET ASSEMBLY	RBA401	1	1	1
3	螺絲	RAA052	1	1	1
2	彈簧 O-RING	RSW085	1	1	1
1	彈簧 O-RING ASSEMBLY	RBA337-30	1	1	1
換尺	單位 DESCRIPTION	單位 CODE	44	38	31
			INCH	INCH	INCH