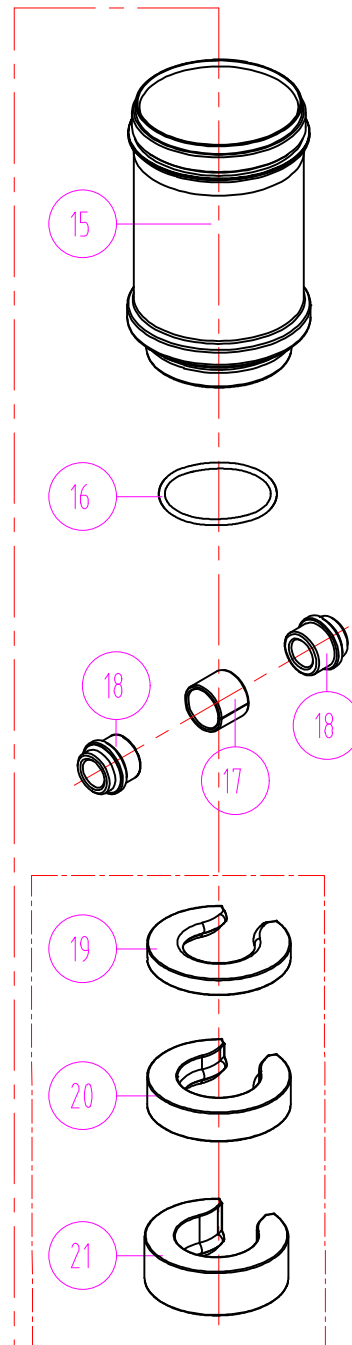
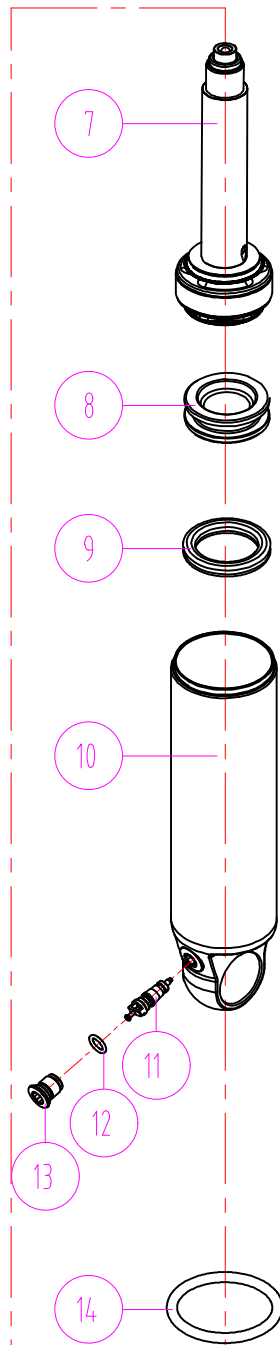
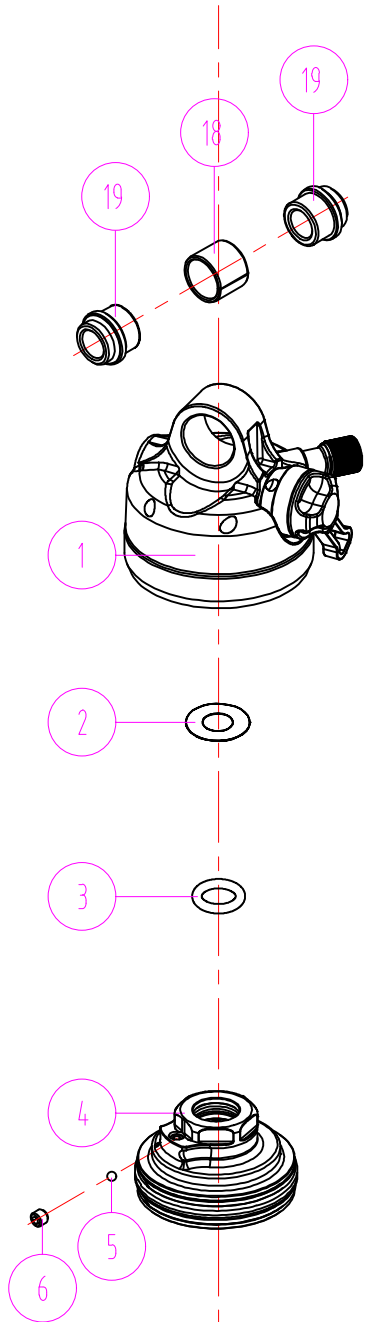


SR SUNTOUR

RS24-EDGEX 2CR

INCH

| | | | |
|---------|------------|---------|---|
| Date | 2023.03.10 | Version | 1 |
| Amended | | | |



| | | | | | | |
|----|----------------|----------------|-----------|------|------|------|
| 22 | 減壓塞 O-RING | REDUCER-Large | REE320-15 | | | |
| 21 | 減壓塞 O-RING | REDUCER-Medium | REE320-10 | | | |
| 20 | 減壓塞 O-RING | REDUCER-Small | REE320-05 | | | |
| 19 | 避震器 O-RING-#10 | RAA131 | | 4 | 4 | 4 |
| | 避震器 O-RING-#8 | RAA072 | | | | |
| | 避震器 O-RING-#6 | RAA073 | | | | |
| 18 | 避震器軸承 | REE074 | | 2 | 2 | 2 |
| 17 | 墊圈 | RAA100 | | 1 | 1 | 1 |
| 16 | 彈簧蓋 O-RING | RBA340-31 | | | | |
| | 彈簧蓋 O-RING | RBA340-38 | | 1 | | |
| | 彈簧蓋 O-RING | RBA340-44 | | 1 | | |
| 15 | 墊圈 | FAA352 | | 1 | 1 | 1 |
| 14 | 彈簧蓋 O-RING | RAA102 | | 1 | 1 | 1 |
| 13 | 墊圈 | FAA140 | | 1 | 1 | 1 |
| 12 | 彈簧蓋 O-RING | FAA170-10 | | 1 | 1 | 1 |
| 11 | 彈簧蓋 O-RING | RLB185-31 | | | | 1 |
| | 彈簧蓋 O-RING | RLB185-38 | | | 1 | |
| | 彈簧蓋 O-RING | RLB185-44 | | 1 | | |
| 10 | 墊圈 | RAA046 | | 1 | 1 | 1 |
| 9 | 彈簧蓋 O-RING | REE066 | | 1 | 1 | 1 |
| 8 | 彈簧蓋 O-RING | RBA342-31-10 | | | | 1 |
| | 彈簧蓋 O-RING | RBA342-38-10 | | | 1 | |
| | 彈簧蓋 O-RING | RBA342-44-10 | | 1 | | |
| 6 | 彈簧蓋 O-RING | PSB103 | | 1 | 1 | 1 |
| 5 | 彈簧蓋 O-RING | DS0001 | | 1 | 1 | 1 |
| 4 | 彈簧蓋 O-RING | RBA401 | | 1 | 1 | 1 |
| 3 | 彈簧蓋 O-RING | RAA052 | | 1 | 1 | 1 |
| 2 | 彈簧蓋 O-RING | RSW085 | | 1 | 1 | 1 |
| 1 | 彈簧蓋 O-RING | RBA337-10 | | 1 | 1 | 1 |
| 總數 | 零件 DESCRIPTION | SR SUNTOUR | | 44 | 38 | 31 |
| | | | | 184 | 165 | 152 |
| | | | | INCH | INCH | INCH |