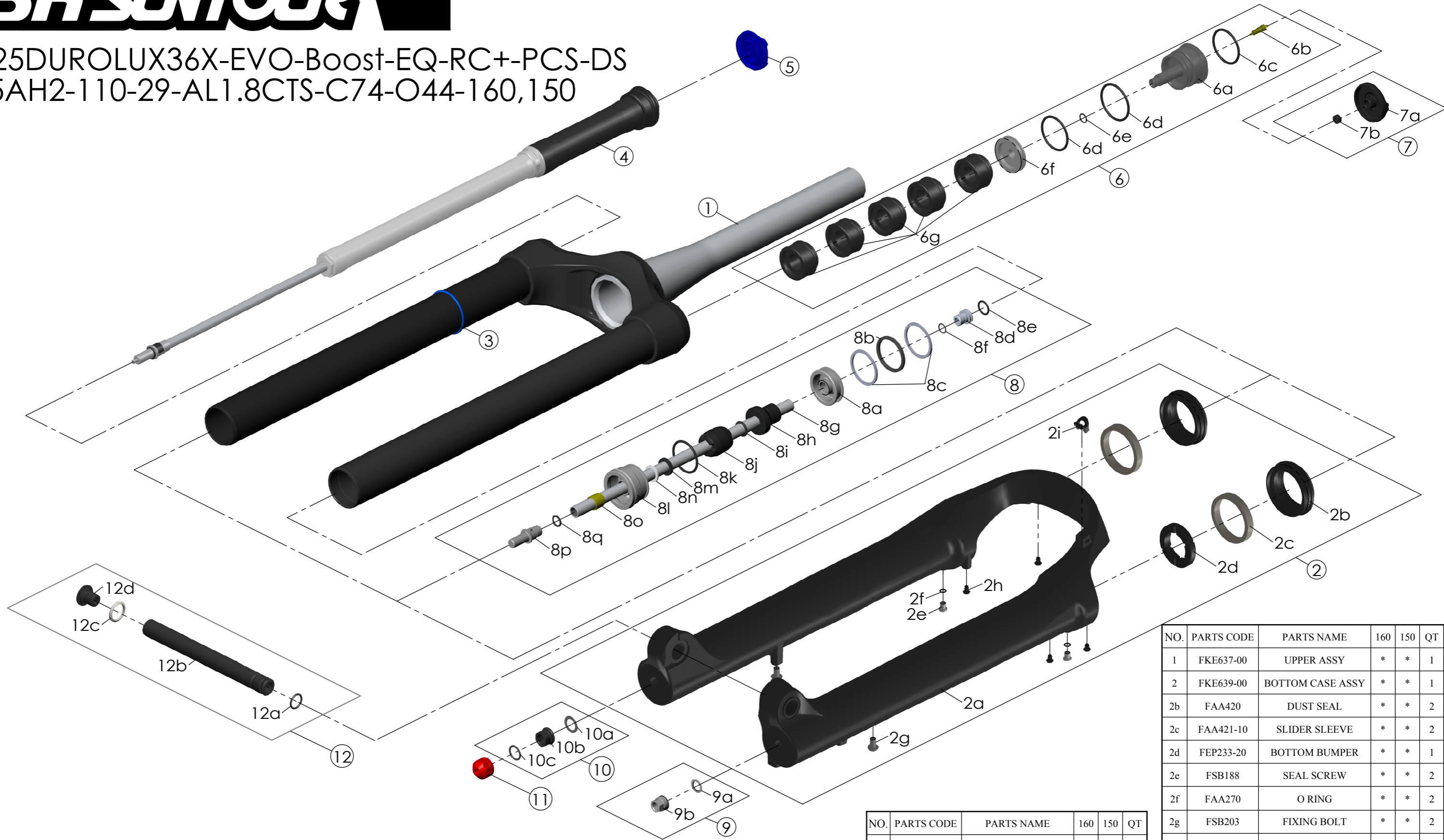




| | | | |
|---------|------------|---------|---|
| Date | 2024.12.25 | Version | 0 |
| Amended | | | |

SF25DUROLUX36X-EVO-Boost-EQ-RC+-PCS-DS
-15AH2-110-29-AL1.8CTS-C74-O44-160,150



| NO. | PARTS CODE | PARTS NAME | 160 | 150 | QT |
|-----|------------|-------------------------|-----|-----|----|
| 9 | FKA063-03 | FIXING NUT SET | * | * | 1 |
| 10 | FKE436-03 | FIXING NUT SET | * | * | 1 |
| 11 | FEG201-20 | REBOUND KNOB | * | * | 1 |
| 12 | FKA117-00 | 15AH2-110 THRU AXLE SET | * | * | 1 |

| NO. | PARTS CODE | PARTS NAME | 160 | 150 | QT |
|-----|------------|-------------------|-----|-----|----|
| 6g | FEG270 | VOLUME REDUCER | * | | 4 |
| | | | | * | 5 |
| 7 | FKE595-10 | VALVE CAP ASSY | * | * | 1 |
| | | | | | |
| 8 | FKE577-02 | SUPPORT TUBE ASSY | * | | 1 |
| | | | | * | 1 |
| 8g | FPE002-67 | SUPPORT TUBE | * | | 1 |
| | | | | * | 1 |

| NO. | PARTS CODE | PARTS NAME | 160 | 150 | QT |
|-----|------------|----------------------|-----|-----|----|
| 1 | FKE637-00 | UPPER ASSY | * | * | 1 |
| 2 | FKE639-00 | BOTTOM CASE ASSY | * | * | 1 |
| 2b | FAA420 | DUST SEAL | * | * | 2 |
| 2c | FAA421-10 | SLIDER SLEEVE | * | * | 2 |
| 2d | FEP233-20 | BOTTOM BUMPER | * | * | 1 |
| 2e | FSB188 | SEAL SCREW | * | * | 2 |
| 2f | FAA270 | O RING | * | * | 2 |
| 2g | FSB203 | FIXING BOLT | * | * | 2 |
| 2h | FAA200-10 | MOUNT CAP | * | * | 4 |
| 2i | FEG034 | CABLE CLIP | * | * | 1 |
| 3 | FAA397-40 | O RING | * | * | 1 |
| 4 | FUN240-85 | RC+-PCS UNIT | * | * | 1 |
| 5 | FEG604 | RC KNOB | * | * | 1 |
| 6 | FKE525-52 | VOLUME ADJUSTER ASSY | * | | 1 |
| | FKE525-62 | | | * | 1 |