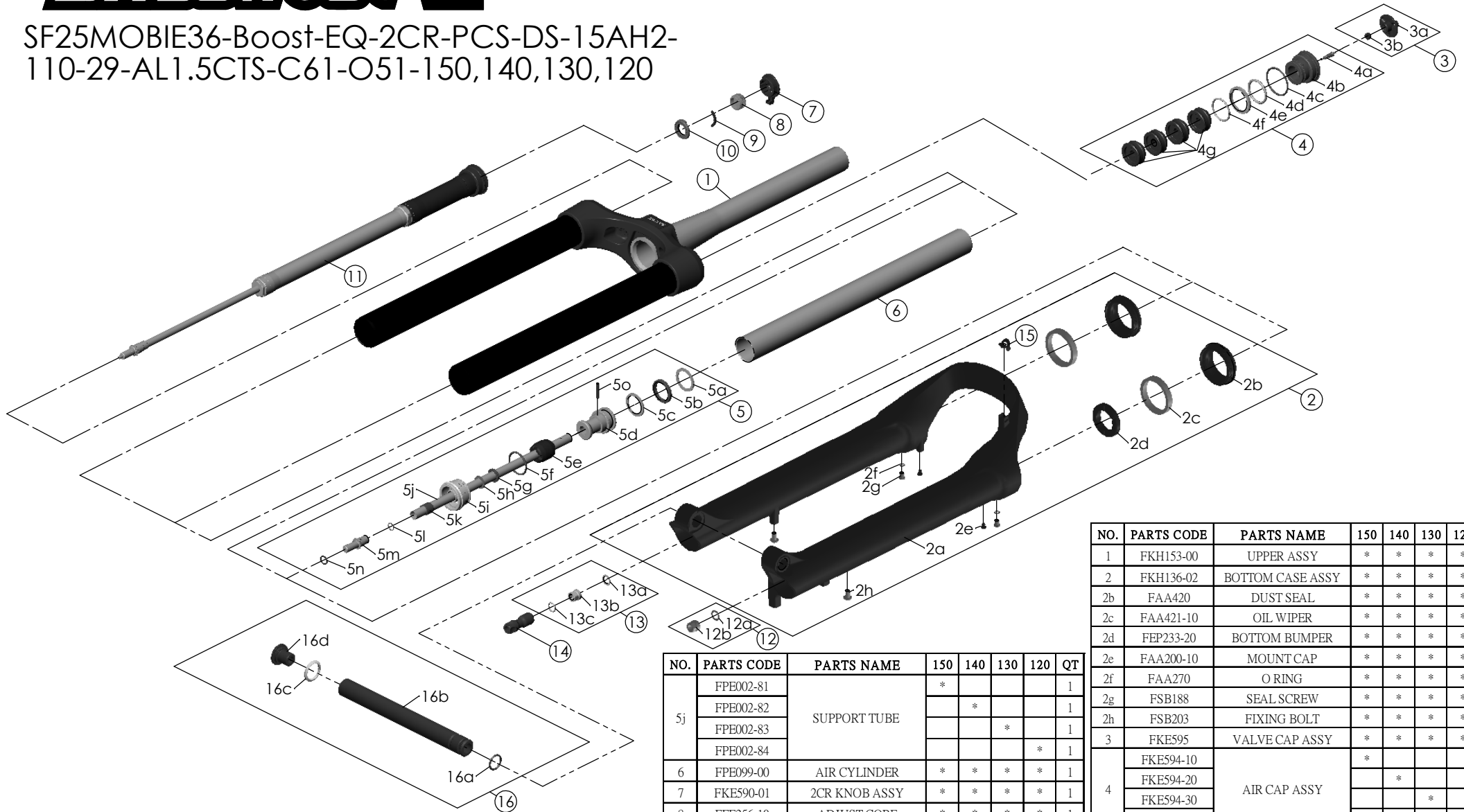


SF25MOBIE36-Boost-EQ-2CR-PCS-DS-15AH2-110-29-AL1.5CTS-C61-O51-150,140,130,120

Date	2023.-06-12	Version	2
Amended	2024.12.19		



NO.	PARTS CODE	PARTS NAME	150	140	130	120	QT
5j	FPE002-81	SUPPORT TUBE	*				1
	FPE002-82			*		1	
	FPE002-83				*	1	
	FPE002-84					* 1	
6	FPE099-00	AIR CYLINDER	*	*	*	* 1	
7	FKE590-01	2CR KNOB ASSY	*	*	*	* 1	
8	FEE256-10	ADJUST CORE	*	*	*	* 1	
9	FEE258	ADJUST CLICK	*	*	*	* 1	
10	FEE257	CLICK HOLDER	*	*	*	* 1	
11	FUN171-75	2CR-PCS UNIT	*	*	*	* 1	
12	FKA063-03	FIXING NUT SET	*	*	*	* 1	
13	FKE436-04	FIXING NUT SET	*	*	*	* 1	
14	FEG494-10	REBOUND KNOB	*	*	*	* 1	
15	FEG034	CABLE CLIP	*	*	*	* 1	
16	FKA117-02	15AH2-100 THRU AXLE SET	*	*	*	* 1	

NO.	PARTS CODE	PARTS NAME	150	140	130	120	QT
1	FKH153-00	UPPER ASSY	*	*	*	* 1	
2	FKH136-02	BOTTOM CASE ASSY	*	*	*	* 1	
2b	FAA420	DUST SEAL	*	*	*	* 2	
2c	FAA421-10	OIL WIPER	*	*	*	* 2	
2d	FEP233-20	BOTTOM BUMPER	*	*	*	* 2	
2e	FAA200-10	MOUNT CAP	*	*	*	* 2	
2f	FAA270	O RING	*	*	*	* 2	
2g	FSB188	SEAL SCREW	*	*	*	* 2	
2h	FSB203	FIXING BOLT	*	*	*	* 2	
3	FKE595	VALVE CAP ASSY	*	*	*	* 1	
4	FKE594-10	AIR CAP ASSY	*				1
	FKE594-20			*		1	
	FKE594-30				*	1	
	FKE594-40					* 1	
4g	FEG270-10	VOLUME REDUCER	*				4
				*			5
					*		6
					*	7	
5	FKH154-01	SUPPORT TUBE ASSY	*				1
	FKH154-02			*		1	
	FKH154-03				*	1	
	FKH154-04					* 1	