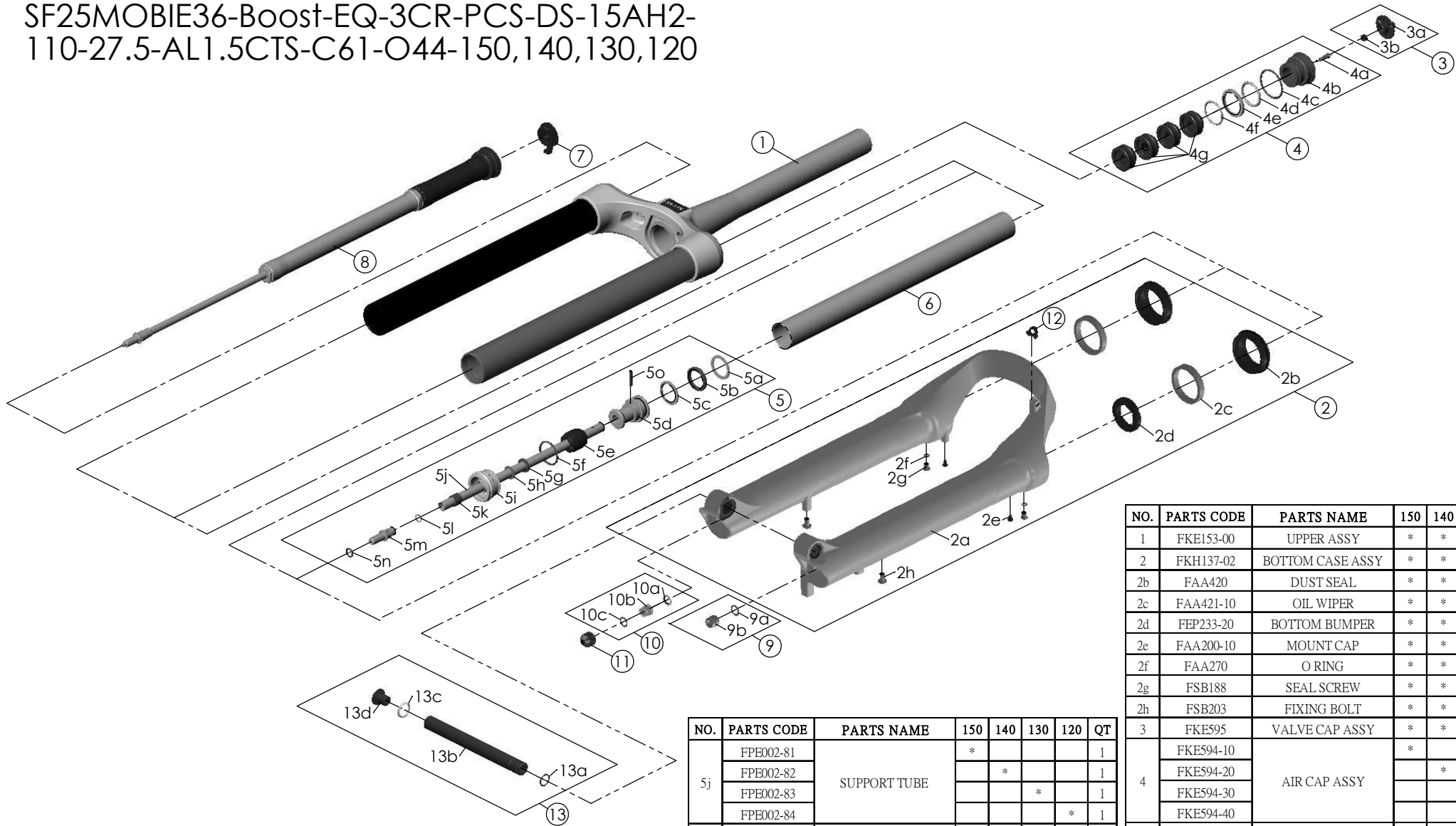


SF25MOBIE36-Boost-EQ-3CR-PCS-DS-15AH2-110-27.5-AL1.5CTS-C61-O44-150,140,130,120



| NO. | PARTS CODE | PARTS NAME              | 150          | 140 | 130 | 120 | QT |
|-----|------------|-------------------------|--------------|-----|-----|-----|----|
| 5j  | FPE002-81  | SUPPORT TUBE            | *            |     |     |     | 1  |
|     | FPE002-82  |                         |              | *   |     | 1   |    |
|     | FPE002-83  |                         |              |     | *   | 1   |    |
|     | FPE002-84  |                         |              |     |     | * 1 |    |
|     | FPE099-00  |                         | AIR CYLINDER | *   | *   | *   | *  |
| 7   | FKE590-00  | 3CR KNOB ASSY           | *            | *   | *   | *   | 1  |
| 8   | FUN210-25  | 3CR-PCS UNIT            | *            | *   | *   | *   | 1  |
| 9   | FKA063-03  | FIXING NUT SET          | *            | *   | *   | *   | 1  |
| 10  | FKE436     | FIXING NUT SET          | *            | *   | *   | *   | 1  |
| 11  | FEF201     | REBOUND KNOB            | *            | *   | *   | *   | 1  |
| 12  | FEF034     | CABLE CLIP              | *            | *   | *   | *   | 1  |
| 13  | FKA117-00  | 15AH2-100 THRU AXLE SET | *            | *   | *   | *   | 1  |

| NO. | PARTS CODE | PARTS NAME        | 150 | 140 | 130 | 120 | QT  |
|-----|------------|-------------------|-----|-----|-----|-----|-----|
| 1   | FKE153-00  | UPPER ASSY        | *   | *   | *   | *   | 1   |
| 2   | FKH137-02  | BOTTOM CASE ASSY  | *   | *   | *   | *   | 1   |
| 2b  | FAA420     | DUST SEAL         | *   | *   | *   | *   | 2   |
| 2c  | FAA421-10  | OIL WIPER         | *   | *   | *   | *   | 2   |
| 2d  | FEF233-20  | BOTTOM BUMPER     | *   | *   | *   | *   | 2   |
| 2e  | FAA200-10  | MOUNT CAP         | *   | *   | *   | *   | 2   |
| 2f  | FAA270     | O RING            | *   | *   | *   | *   | 2   |
| 2g  | FSB188     | SEAL SCREW        | *   | *   | *   | *   | 2   |
| 2h  | FSB203     | FIXING BOLT       | *   | *   | *   | *   | 2   |
| 3   | FKE595     | VALVE CAP ASSY    | *   | *   | *   | *   | 1   |
| 4   | FKE594-10  | AIR CAP ASSY      | *   |     |     |     | 1   |
|     | FKE594-20  |                   |     | *   |     |     | 1   |
|     | FKE594-30  |                   |     |     | *   |     | 1   |
|     | FKE594-40  |                   |     |     |     | *   | 1   |
|     | FKE594-40  |                   |     |     |     |     | * 1 |
| 4g  | FEF270-10  | VOLUME REDUCER    | *   |     |     |     | 4   |
|     |            |                   |     | *   |     |     | 5   |
|     |            |                   |     |     | *   |     | 6   |
| 5   | FKH154-01  | SUPPORT TUBE ASSY | *   |     |     |     | 1   |
|     |            |                   |     | *   |     |     | 1   |
|     |            |                   |     |     | *   |     | 1   |
|     |            |                   |     |     |     | *   | 1   |