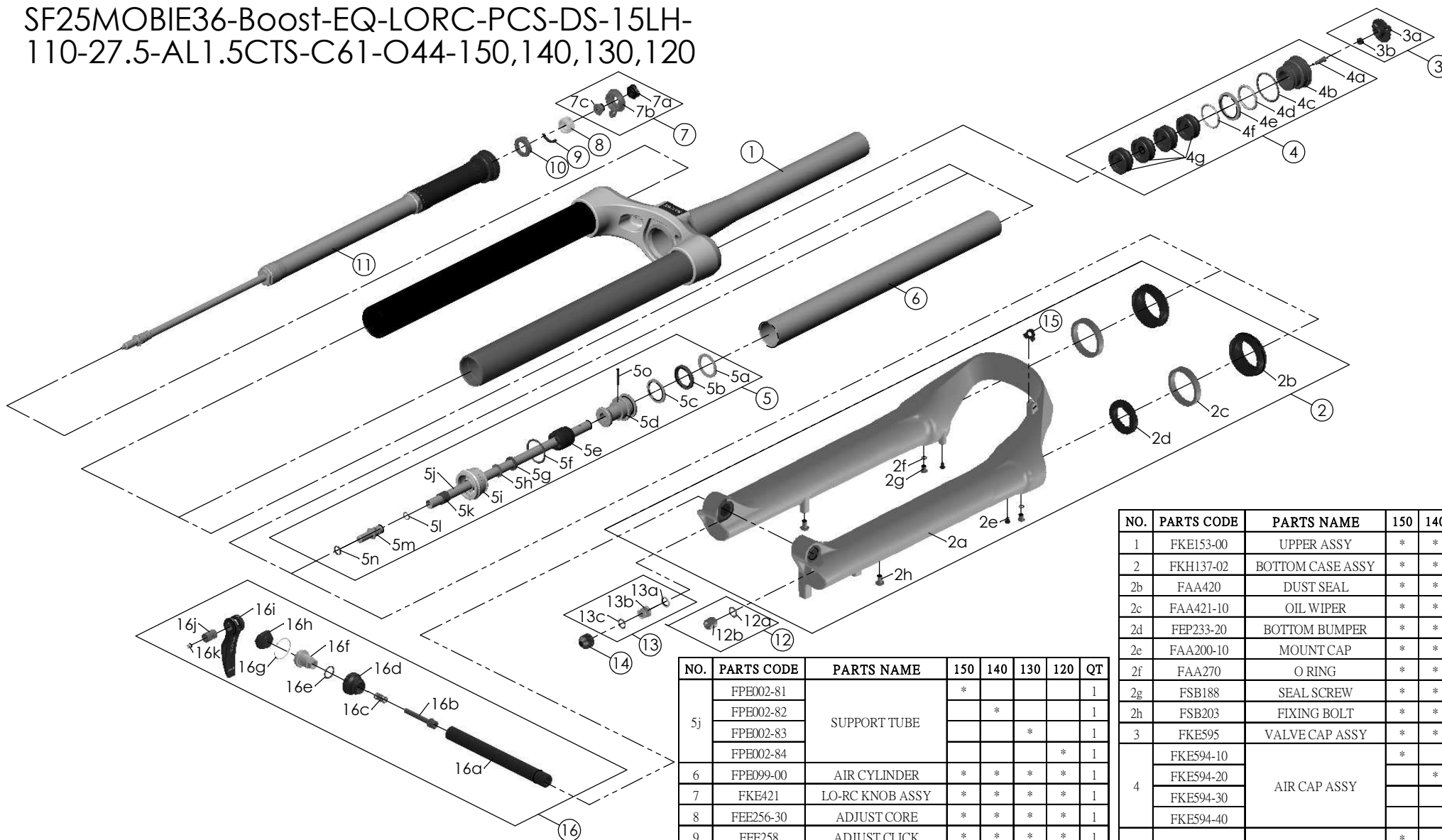


SF25MOBIE36-Boost-EQ-LORC-PCS-DS-15LH-110-27.5-AL1.5CTS-C61-O44-150,140,130,120



| NO. | PARTS CODE | PARTS NAME | 150 | 140 | 130 | 120 | QT |
|-----|------------|-------------------|-----|-----|-----|-----|----|
| 5j | FPE002-81 | SUPPORT TUBE | * | | | | 1 |
| | FPE002-82 | | | * | | 1 | |
| | FPE002-83 | | | | * | 1 | |
| | FPE002-84 | | | | | * 1 | |
| 6 | FPE099-00 | AIR CYLINDER | * | * | * | * | 1 |
| 7 | FKE421 | LO-RC KNOB ASSY | * | * | * | * | 1 |
| 8 | FEE256-30 | ADJUST CORE | * | * | * | * | 1 |
| 9 | FEE258 | ADJUST CLICK | * | * | * | * | 1 |
| 10 | FEE257 | CLICK HOLDER | * | * | * | * | 1 |
| 11 | FUN131-55 | LORC-PCS UNIT | * | * | * | * | 1 |
| 12 | FKA063-03 | FIXING NUT SET | * | * | * | * | 1 |
| 13 | FKE436 | FIXING NUT SET | * | * | * | * | 1 |
| 14 | FEF201 | REBOUND KNOB | * | * | * | * | 1 |
| 15 | FEF034 | CABLE CLIP | * | * | * | * | 1 |
| 16 | FKA116-02 | 15LH-110 AXLE SET | * | * | * | * | 1 |

| NO. | PARTS CODE | PARTS NAME | 150 | 140 | 130 | 120 | QT |
|-----|------------|-------------------|-----|-----|-----|-----|----|
| 1 | FKE153-00 | UPPER ASSY | * | * | * | * | 1 |
| 2 | FKH137-02 | BOTTOM CASE ASSY | * | * | * | * | 1 |
| 2b | FAA420 | DUST SEAL | * | * | * | * | 2 |
| 2c | FAA421-10 | OIL WIPER | * | * | * | * | 2 |
| 2d | FEP233-20 | BOTTOM BUMPER | * | * | * | * | 2 |
| 2e | FAA200-10 | MOUNT CAP | * | * | * | * | 2 |
| 2f | FAA270 | O RING | * | * | * | * | 2 |
| 2g | FSB188 | SEAL SCREW | * | * | * | * | 2 |
| 2h | FSB203 | FIXING BOLT | * | * | * | * | 2 |
| 3 | FKE595 | VALVE CAP ASSY | * | * | * | * | 1 |
| 4 | FKE594-10 | AIR CAP ASSY | * | | | | 1 |
| | FKE594-20 | | | * | | | 1 |
| | FKE594-30 | | | | * | | 1 |
| | FKE594-40 | | | | | * | 1 |
| 4g | FEG270-10 | VOLUME REDUCER | * | | | | 4 |
| | | | | * | | | 5 |
| | | | | | * | | 6 |
| | | | | | * | 7 | |
| 5 | FKH154-01 | SUPPORT TUBE ASSY | * | | | | 1 |
| | FKH154-02 | | | * | | | 1 |
| | FKH154-03 | | | | * | | 1 |
| | FKH154-04 | | | | | * | 1 |