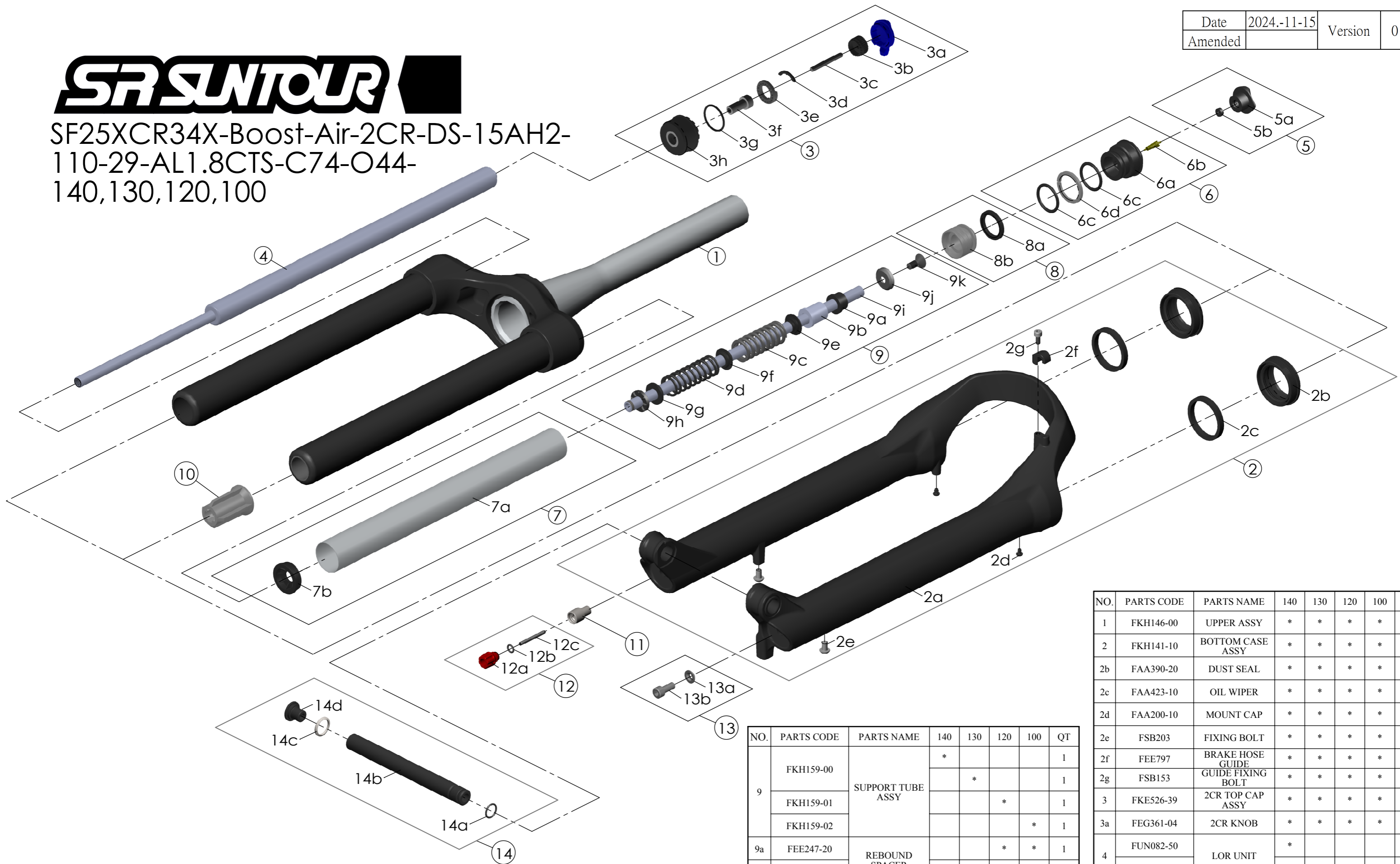




SF25XCR34X-Boost-Air-2CR-DS-15AH2-110-29-AL1.8CTS-C74-O44-140,130,120,100

| | | | |
|---------|-------------|---------|---|
| Date | 2024.-11-15 | Version | 0 |
| Amended | | | |



| NO. | PARTS CODE | PARTS NAME | 140 | 130 | 120 | 100 | QT |
|--------|------------|--------------------|----------------|-----|-----|-----|----|
| 9 | FKH159-00 | SUPPORT TUBE ASSY | * | | | | 1 |
| | FKH159-01 | | | * | | | 1 |
| | FKH159-02 | | | | * | | 1 |
| | FEE247-20 | | REBOUND SPACER | | | * | * |
| FEE247 | | | | | * | 1 | |
| 10 | FEE799-60 | BOTTOM STOPPER | * | * | * | * | 1 |
| 11 | FSB058 | DAMPER FIXING BOLT | * | * | * | * | 1 |
| 12 | FKA004-30 | REBOUND KNOB ASSY | * | * | * | * | 1 |
| 13 | FKA044 | FIXING BOLT SET | * | * | * | * | 1 |
| 14 | FKA117-00 | 15AH2-110 AXLE SET | * | * | * | * | 1 |

| NO. | PARTS CODE | PARTS NAME | 140 | 130 | 120 | 100 | QT |
|-----|------------|-------------------|-----|-----|-----|-----|----|
| 1 | FKH146-00 | UPPER ASSY | * | * | * | * | 1 |
| 2 | FKH141-10 | BOTTOM CASE ASSY | * | * | * | * | 1 |
| 2b | FAA390-20 | DUST SEAL | * | * | * | * | 2 |
| 2c | FAA423-10 | OIL WIPER | * | * | * | * | 2 |
| 2d | FAA200-10 | MOUNT CAP | * | * | * | * | 2 |
| 2e | FSB203 | FIXING BOLT | * | * | * | * | 2 |
| 2f | FEE797 | BRAKE HOSE GUIDE | * | * | * | * | 1 |
| 2g | FSB153 | GUIDE FIXING BOLT | * | * | * | * | 1 |
| 3 | FKE526-39 | 2CR TOP CAP ASSY | * | * | * | * | 1 |
| 3a | FEG361-04 | 2CR KNOB | * | * | * | * | 1 |
| 4 | FUN082-50 | LOR UNIT | * | | | | 1 |
| | FUN082-40 | | | * | * | * | 1 |
| 5 | FKE076-10 | VALVE CAP ASSY | * | * | * | * | 1 |
| 6 | FKE075-77 | AIR CAP ASSY | * | * | * | * | 1 |
| 7 | FKH150-01 | AIR CYLINDER KIT | * | | | | 1 |
| | FKH150-00 | | | * | * | * | 1 |
| 8 | FKE091-85 | PISTON UNIT | * | * | * | * | 1 |