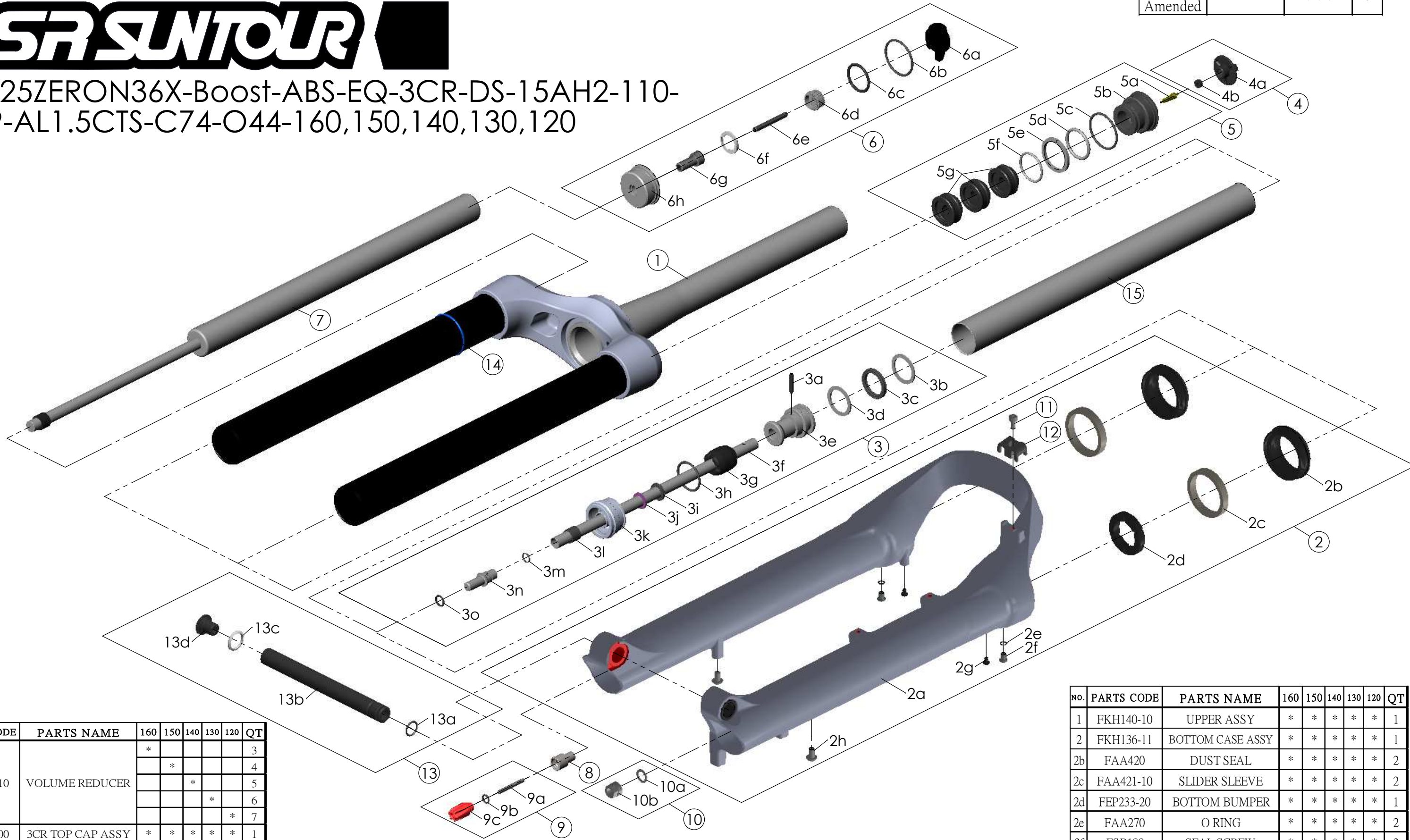




SF25ZERON36X-Boost-ABS-EQ-3CR-DS-15AH2-110-29-AL1.5CTS-C74-O44-160,150,140,130,120

|         |            |         |   |
|---------|------------|---------|---|
| Date    | 2023.12.27 | Version | 0 |
| Amended |            |         |   |



| NO. | PARTS CODE | PARTS NAME              | 160 | 150 | 140 | 130 | 120 | QT |   |
|-----|------------|-------------------------|-----|-----|-----|-----|-----|----|---|
| 5g  | FEG270-10  | VOLUME REDUCER          | *   |     |     |     |     | 3  |   |
|     |            |                         |     | *   |     |     |     | 4  |   |
|     |            |                         |     |     | *   |     |     | 5  |   |
|     |            |                         |     |     |     | *   |     | 6  |   |
|     |            |                         |     |     |     |     | *   | 7  |   |
|     |            |                         |     |     |     |     |     | *  | 8 |
|     |            |                         |     |     |     |     |     | *  | 9 |
| 6   | FKE596-00  | 3CR TOP CAP ASSY        | *   | *   | *   | *   | *   | 1  |   |
| 7   | FUN230-65  | 3CR UNIT                | *   | *   | *   | *   | *   | 1  |   |
| 8   | FSB058     | DAMPER FIXING BOLT      | *   | *   | *   | *   | *   | 1  |   |
| 9   | FKA004-22  | DAMPER KNOB ASSY        | *   | *   | *   | *   | *   | 1  |   |
| 10  | FKA063-03  | FIXING NUT SET          | *   | *   | *   | *   | *   | 1  |   |
| 11  | FSB153     | GUIDE FIXING BOLT       | *   | *   | *   | *   | *   | 1  |   |
| 12  | FEG519     | CABLE GUIDE             | *   | *   | *   | *   | *   | 1  |   |
| 13  | FKA117-00  | 15AH2-110 THRU AXLE SET | *   | *   | *   | *   | *   | 1  |   |
| 14  | FAA397-40  | O RING                  | *   | *   | *   | *   | *   | 1  |   |
| 15  | FPE099-00  | Air Cylinder            | *   | *   | *   | *   | *   | 1  |   |

| NO. | PARTS CODE | PARTS NAME   | 160 | 150 | 140 | 130 | 120 | QT |
|-----|------------|--------------|-----|-----|-----|-----|-----|----|
| 5   | FKE594     | AIR CAP ASSY | *   |     |     |     |     | 1  |
|     | FKE594-10  |              |     | *   |     |     |     |    |
|     | FKE594-20  |              |     |     | *   |     |     |    |
|     | FKE594-30  |              |     |     |     | *   |     |    |
|     | FKE594-40  |              |     |     |     | *   |     |    |

| NO. | PARTS CODE | PARTS NAME     | 160 | 150 | 140 | 130 | 120 | QT |
|-----|------------|----------------|-----|-----|-----|-----|-----|----|
| 3f  | FPE002-80  | SUPPORT TUBE   | *   |     |     |     |     | 1  |
|     | FPE002-81  |                |     | *   |     |     | 1   |    |
|     | FPE002-82  |                |     |     | *   |     | 1   |    |
|     | FPE002-83  |                |     |     |     | *   | 1   |    |
|     | FPE002-84  |                |     |     |     |     | *   | 1  |
| 4   | FKE595     | VALVE CAP ASSY | *   | *   | *   | *   | *   | 1  |

| NO. | PARTS CODE | PARTS NAME        | 160 | 150 | 140 | 130 | 120 | QT |
|-----|------------|-------------------|-----|-----|-----|-----|-----|----|
| 1   | FKH140-10  | UPPER ASSY        | *   | *   | *   | *   | *   | 1  |
| 2   | FKH136-11  | BOTTOM CASE ASSY  | *   | *   | *   | *   | *   | 1  |
| 2b  | FAA420     | DUST SEAL         | *   | *   | *   | *   | *   | 2  |
| 2c  | FAA421-10  | SLIDER SLEEVE     | *   | *   | *   | *   | *   | 2  |
| 2d  | FEP233-20  | BOTTOM BUMPER     | *   | *   | *   | *   | *   | 1  |
| 2e  | FAA270     | O RING            | *   | *   | *   | *   | *   | 2  |
| 2f  | FSB188     | SEAL SCREW        | *   | *   | *   | *   | *   | 2  |
| 2g  | FAA200-10  | MOUNT CAP         | *   | *   | *   | *   | *   | 2  |
| 2h  | FSB203     | FIXING BOLT       | *   | *   | *   | *   | *   | 2  |
| 3   | FKH154-00  | AIR CYLINDER ASSY | *   |     |     |     |     | 1  |
|     | FKH154-01  |                   |     | *   |     |     |     |    |
|     | FKH154-02  |                   |     |     | *   |     |     |    |
|     | FKH154-03  |                   |     |     |     | *   |     |    |
|     | FKH154-04  |                   |     |     |     | *   |     |    |