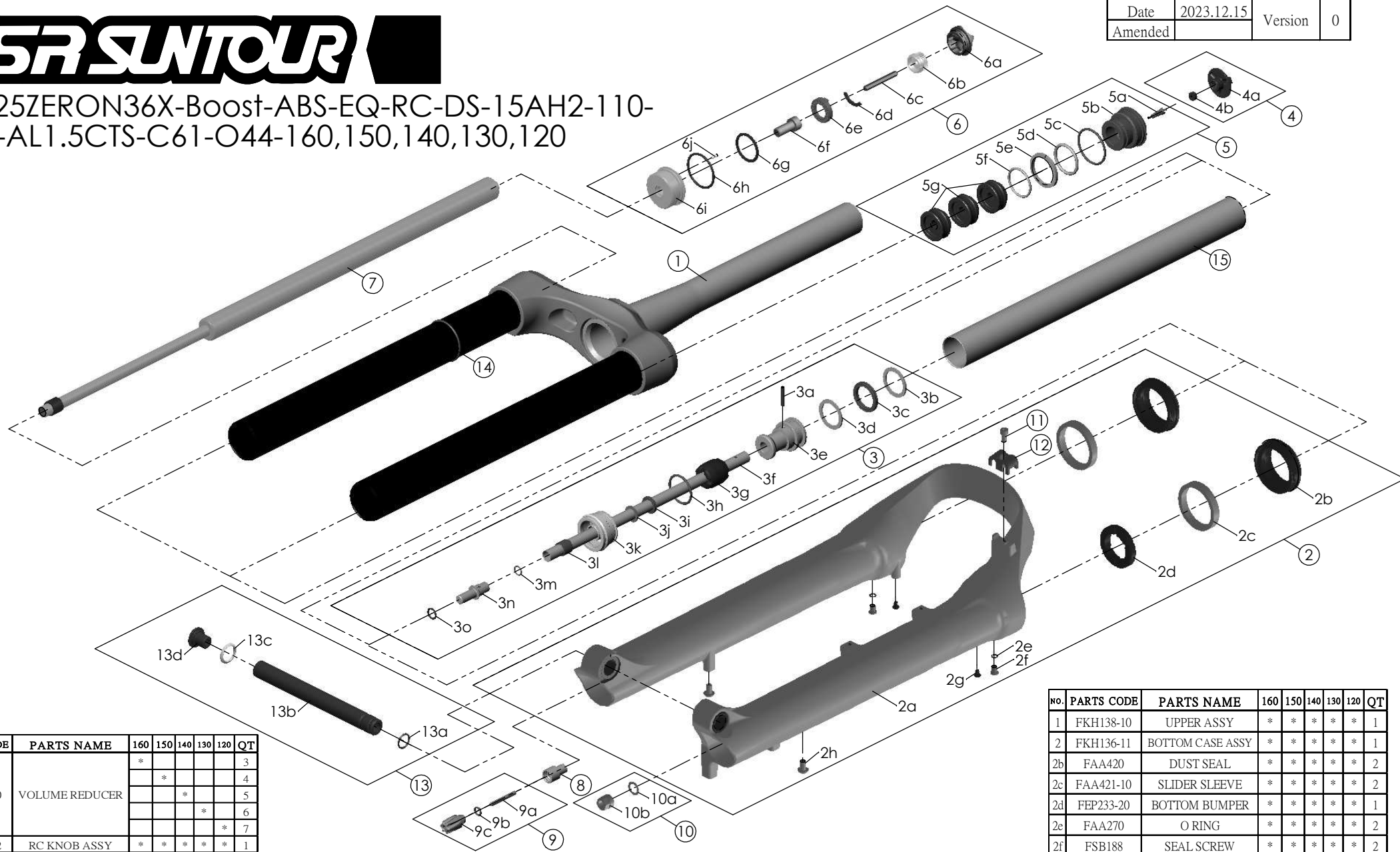


SR SUNTOUR

SF25ZERON36X-Boost-ABS-EQ-RC-DS-15AH2-110-29-AL1.5CTS-C61-O44-160,150,140,130,120

| | | | |
|---------|------------|---------|---|
| Date | 2023.12.15 | Version | 0 |
| Amended | | | |



| NO. | PARTS CODE | PARTS NAME | 160 | 150 | 140 | 130 | 120 | QT | |
|-----|------------|-------------------------|-----|-----|-----|-----|-----|----|---|
| 5g | FEG270-10 | VOLUME REDUCER | * | * | | | | 3 | |
| | | | | * | | | | 4 | |
| | | | | | * | | | 5 | |
| | | | | | | * | | 6 | |
| | | | | | | | * | 7 | |
| | | | | | | | | * | 1 |
| | | | | | | | | | 1 |
| 6 | FKE576-02 | RC KNOB ASSY | * | * | * | * | * | 1 | |
| 7 | FUN180-65 | RC UNIT | * | * | * | * | * | 1 | |
| 8 | FSB058 | DAMPER FIXING BOLT | * | * | * | * | * | 1 | |
| 9 | FKA004-22 | DAMPER KNOB ASSY | * | * | * | * | * | 1 | |
| 10 | FKA063-03 | FIXING NUT SET | * | * | * | * | * | 1 | |
| 11 | FSB153 | GUIDE FIXING BOLT | * | * | * | * | * | 1 | |
| 12 | FEG519 | CABLE GUIDE | * | * | * | * | * | 1 | |
| 13 | FKA117-00 | 15AH2-110 THRU AXLE SET | * | * | * | * | * | 1 | |
| 14 | FAA397-40 | O RING | * | * | * | * | * | 1 | |
| 15 | FPE099-00 | Air Cylinder | * | * | * | * | * | 1 | |

| NO. | PARTS CODE | PARTS NAME | 160 | 150 | 140 | 130 | 120 | QT |
|-----|------------|--------------|-----|-----|-----|-----|-----|----|
| 5 | FKE594 | AIR CAP ASSY | * | | | | | 1 |
| | FKE594-10 | | | * | | | | |
| | FKE594-20 | | | | * | | | |
| | FKE594-30 | | | | | * | | |
| | FKE594-40 | | | | | | * | |

| NO. | PARTS CODE | PARTS NAME | 160 | 150 | 140 | 130 | 120 | QT |
|-----|------------|----------------|-----|-----|-----|-----|-----|----|
| 3f | FPE002-80 | SUPPORT TUBE | * | | | | | 1 |
| | FPE002-81 | | | * | | | | 1 |
| | FPE002-82 | | | | * | | | 1 |
| | FPE002-83 | | | | | * | | 1 |
| | FPE002-84 | | | | | * | 1 | |
| 4 | FKE595 | VALVE CAP ASSY | * | * | * | * | * | 1 |

| NO. | PARTS CODE | PARTS NAME | 160 | 150 | 140 | 130 | 120 | QT |
|-----|------------|-------------------|-----|-----|-----|-----|-----|----|
| 1 | FKH138-10 | UPPER ASSY | * | * | * | * | * | 1 |
| 2 | FKH136-11 | BOTTOM CASE ASSY | * | * | * | * | * | 1 |
| 2b | FAA420 | DUST SEAL | * | * | * | * | * | 2 |
| 2c | FAA421-10 | SLIDER SLEEVE | * | * | * | * | * | 2 |
| 2d | FEP233-20 | BOTTOM BUMPER | * | * | * | * | * | 1 |
| 2e | FAA270 | O RING | * | * | * | * | * | 2 |
| 2f | FSB188 | SEAL SCREW | * | * | * | * | * | 2 |
| 2g | FAA200-10 | MOUNT CAP | * | * | * | * | * | 2 |
| 2h | FSB203 | FIXING BOLT | * | * | * | * | * | 2 |
| 3 | FKH154-00 | AIR CYLINDER ASSY | * | | | | | 1 |
| | FKH154-01 | | | * | | | | |
| | FKH154-02 | | | | * | | | |
| | FKH154-03 | | | | | * | | |
| | FKH154-04 | | | | | | * | |