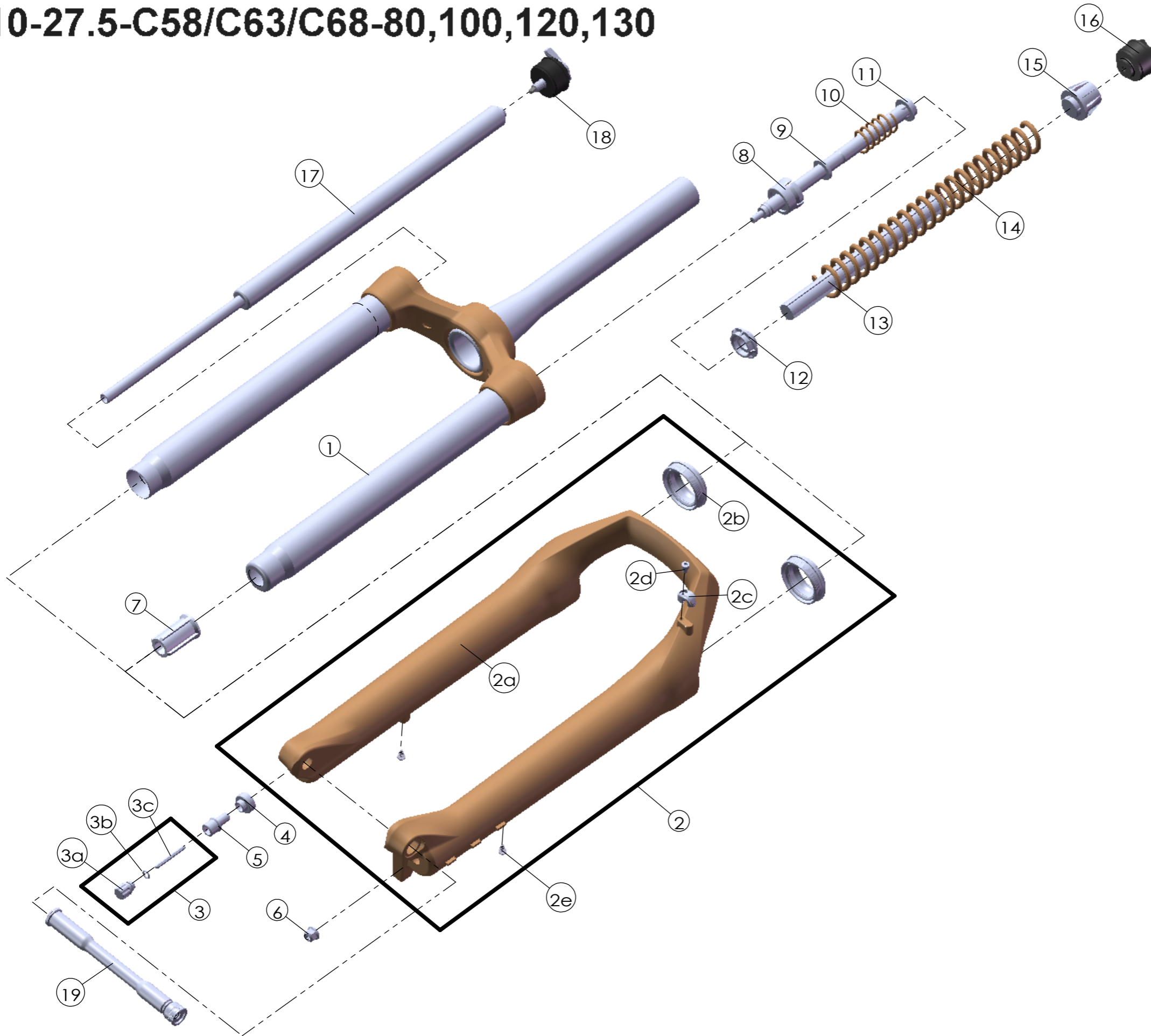


SUNTOUR

SF27-XCM34-DS-BOOST-LO-R-15AH4

-110-27.5-C58/C63/C68-80,100,120,130



Date	2026.01.04	Version	1
Amended			

NO.	PART NAME	PART CODE	QTY.			
			80	100	120	130
1	UPPER ASSY	FKZ176-05 (C58)	1	1	-	-
		FKZ176-06 (C63)	1	1	-	-
		FKZ176-07 (C68)	1	1	-	-
		FKZ176-08 (C58)	-	-	1	1
		FKZ176-09 (C63)	-	-	1	1
		FKZ176-10 (C68)	-	-	1	1
2	BOTTOM CASE ASSY	FKZ177-30	1	1	1	1
2a	BOTTOM CASE	FPB562-10	1	1	1	1
2b	DUST SEAL	FAA390-20	2	2	2	2
2c	HOSE GUIDE	FEG166	1	1	1	1
2d	FIXING BOLT	FSB153	1	1	1	1
2e	MOUNT CAP	FAA199	2	2	2	2
3	DAMPER KNOB ASSY	FKA004-40	1	1	1	1
3a	DAMPER ADJUST KNOB	FEE845-10	1	1	1	1
3b	O RING	FAA083	1	1	1	1
3c	HEXAGON SHAFT	FEE131-10	1	1	1	1
4	SLEEVE	FEG363-20	1	1	1	1
5	DAMPER FIXING BOLT	FSB058-20	1	1	1	1
6	FIXING NUT	FSN023	1	1	1	1
7	BOTTOM STOPPER	FEE806-10	1	1	-	-
		FEE806	-	-	1	-
		FEE806-50	-	-	-	1
8	FORK NOSE	FEE805-20	1	1	1	1
9	REBOUND RUBBER	FEP053	1	1	1	1
10	REBOUND SPRING	FEP189-20	1	1	1	1
11	SUPPORT TUBE	FEG391	1	-	-	-
		FEE800	-	1	1	-
		FEG175	-	-	-	1
12	SPRING GUIDE LOWER	FEG456	1	1	1	1
13	DAMPER	FEP781	1	1	1	1
14	MAIN SPRING	FEP866	1	-	-	-
		FEP799	-	1	-	-
		FEP798	-	-	1	-
		FEP797	-	-	-	1
15	SPRING GUIDE UPPER	FEG455	1	1	1	1
16	ADJUST SYSTEM	FEK009-31	1	1	1	1
17	DAMPER UNIT	FUN082-10	1	1	-	-
		FUN082-30	-	-	1	1
18	LO ADJUST SYSTEM	FKE526-19	1	1	1	1
19	15AH4 AXLE SET	FKA133-02	1	1	1	1