

ENGLISH

RAIDON
34
SERIES



SUNTOUR

CONTENT

2K25 HIGHLIGHTS / TECHNOLOGY & FEATURES

RAIDON 34 Series	
<u>KEY SPECIFICATIONS</u>	04
<u>THRU AXLE INSTALLATION</u>	05
<u>TERMS AND SETUP</u>	07
<u>SAG AND AIR PRESSURE SETTING</u>	08
<u>REBOUND SETTING</u>	09
<u>AIR VOLUME SETTING</u>	10
<u>COMPRESSION ADJUSTMENT</u>	12
<u>QUICK SERVICE PORTS (QSP)</u>	13
<u>SERVICE INTERVALS</u>	14
<u>GUIDE SERVICES</u>	15
<u>GUIDES DISCLAIMER /SAFETY</u>	15
<u>LOWER LEGS SERVICE</u>	16
<u>AIR CHAMBER SERVICE</u>	24
<u>TRAVEL CONVERSION</u>	32
<u>MAIN SPRING REPLACEMENT</u>	40
<u>CARTRIDGE REPLACEMENT</u>	45
<u>SOCIAL MEDIA / GLOBAL CONTACTS</u>	51

⚠ WARNING

Carefully read, understand and follow the instructions provided in this manual, and keep it in a safe place for future reference. If you have any doubt whatsoever regarding the use or maintenance of any SR SUNTOUR product, please contact SR SUNTOUR. Failure to follow these warnings and instructions can result in product malfunction, causing an accident, severe injury or death.

IMPORTANT SAFETY INFORMATION

- Read this manual thoroughly before using your suspension system.
- These instructions contain important information about the correct installation, service and maintenance of your suspension fork. Common mechanical knowledge may not be sufficient. Your suspension fork should only be installed, serviced and/or maintained by a trained and qualified bicycle mechanic with specialized tools.
- Our suspension systems contain fluids and gases under extreme pressure. Never try to open any SR SUNTOUR suspension system! Pieces can be violently ejected.
- SR SUNTOUR suspension forks are designed as a single integrated system. To avoid product malfunction and an accident, use only genuine SR SUNTOUR spare parts. The use of third-party supplier spare parts also voids the warranty of your suspension system.
- Your suspension fork is not intended for jumps, aggressive downhill rides, freeride or dirt jumping if the warning sticker on your suspension system prohibits these activities. Disregarding these instructions may cause your suspension fork to fail, resulting in an accident, personal injury or death, and will void the warranty.

⚠ WARNING

- SR SUNTOUR suspension fork is designed for use by a single rider.
- Select the correct suspension fork according to your frame's dimensions and your personal riding style. Installing a suspension fork which does not match the geometry of your frame could result in a failure of the suspension fork or frame could result in a failure of the suspension fork or frame itself and will void the shocks warranty. Failure of the suspension fork or frame itself and will void the shocks warranty.
- Know the limits of your skill and experience, and never ride beyond them.
 - Read, understand and follow all owner's manuals provided with your bike and all of its components.
- Always be equipped with proper safety gear. This includes a properly fitted and fastened helmet.

BEFORE EVERY RIDE

- Inspect your bicycle and suspension system including the handlebars, pedals, crank arms, seat post, saddle, etc. For any cracks, dents, bent or tarnished parts, Also search for any oil leaking out of your shocks. Be sure to check hidden areas on the underside of your bike. If any condition exists, consult a trained and qualified bicycle mechanic to determine the cause and make any necessary correction.
- Compress your suspension system with your body weight. If it feels too soft, make the necessary adjustments until you have reached the correct SAG value. Please also see the instruction in this manual regarding SAG.
- Make sure your brakes are properly installed/adjusted and work correctly.
- Spin the wheels. Make sure that wheels are perfectly centered and do not contact the suspension fork or brakes.
- If you are using a quick release system to fasten your wheel set, make sure that all levers and nuts are properly tightened. In case you are using a through axle system, make sure that all fixing bolts are tightened with the appropriate torque values. Strictly follow the instructions provided by the manufacturer of the quick release or through axle system.



RAIDON 34 BOOST RAIDON 34 JR BOOST

29"	100/120/130/140	203 mm MAX DISC	STANCHION: 34	BOOST	EQ III EQUALIZER
27.5"	100/120/130/140	203 mm MAX DISC	STANCHION: 34	BOOST	EQ III EQUALIZER
20"	100	203 mm MAX DISC	STANCHION: 34	BOOST	EQ III EQUALIZER

MODEL	RAIDON 34 Series
INTENDED USE	EMTB Trail/Xc & ESUB Hardtail
TRAVEL	100,120,130,140mm
WHEEL SIZE	29"x2.4", 27.5"x2.6", 20"x2.6"
SPRING	AIR EQ
CARTRIDGE	2CR/R-2CR
BOTTOM CASE	MAGNESIUM
AXLE TYPE	15AH4-110, OPTION 15LH-110
FEATURES	ABS MOUNT, LONG FENDER MOUNT, DETACHABLE INTEGRATED SHORT FENDER

EQ EQUALIZER SYSTEM

FOR PRECISE & EFFORTLESS AIR SPRING TUNING

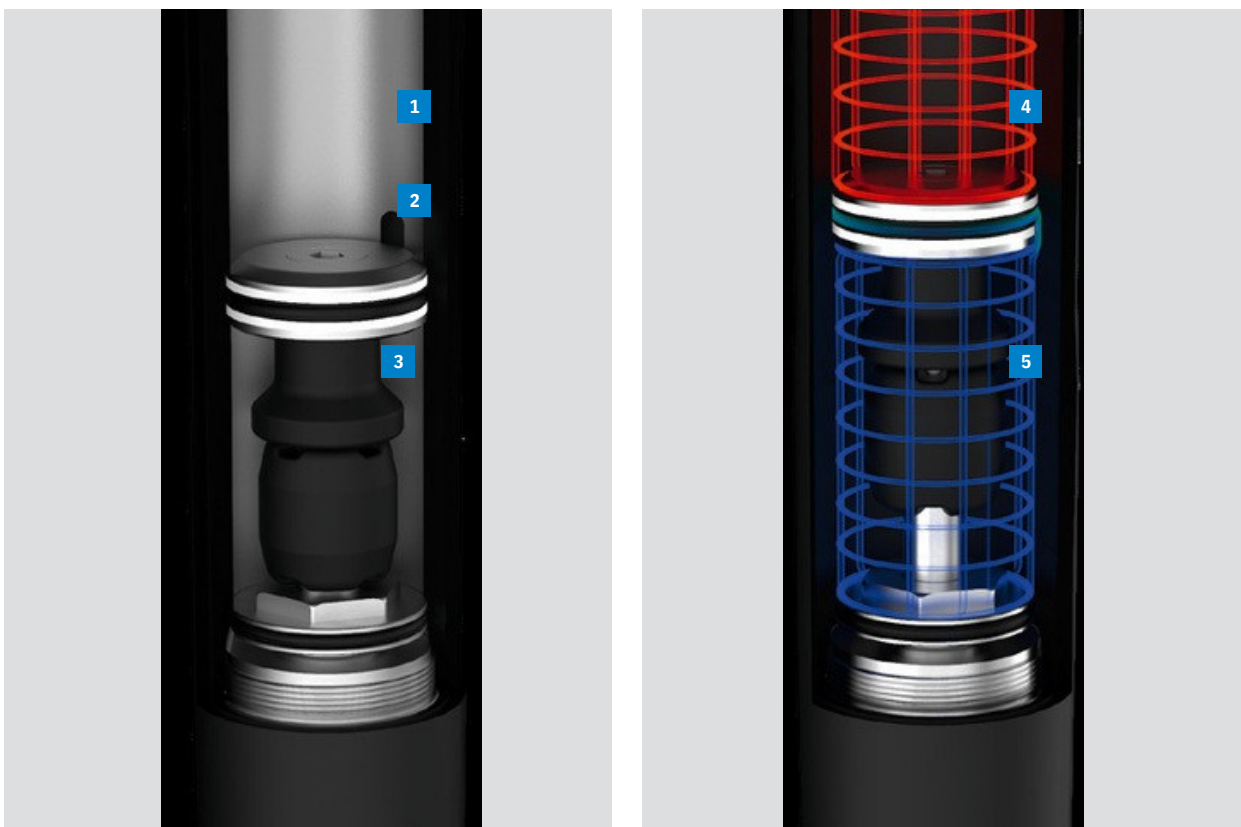


CLICK OR SCAN THE
CODE TO WATCH THE
DUROLUX EQ VIDEO

LEARN MORE AT WWW.SRSUNTOUR.COM/EQ

EQ EQUALIZER SYSTEM

FOR PRECISE & EFFORTLESS AIR SPRING TUNING



- 1 Positive air chamber
- 2 Transfer port
- 3 Negative air Chamber
- 4 Positive air pressure
- 5 Negative air pressure

SET YOUR SAG AND THE EQUALIZER (EQ) AIR NEGATIVE SPRING SYSTEM WILL BALANCE IT FOR YOU.

Our tradition of product evolution brings our forks into a brand new era with our EQ air system. The EQ system perfectly balances positive and negative spring independent from rider weight, which results in amazing performance and precise support across the range. This customizes feel for each individual rider optimizing SAG and volume control. Pairing the EQ system with the external damping adjustments of our PCS cartridges promise a supple coil spring feel in a lightweight, progressive and easy to adjust air spring package. You can set your SAG according to your

intended riding style and the EQ system will balance it with the right amount of negative spring force helping you to create a precise and effortless tune. The EQ system will improve fork sensitivity of small repetitive bumps while providing plenty of mid-stroke support for those bigger hits resulting in enhanced comfort and performance when riding any kind of terrain.

FUNCTIONAL FEATURES

- Greater, automatic spring adjustability based on the riding style and weight of the rider
- Improved fork sensitivity for those small but fast repetitive bumps
- Super consistent damping performance in tandem with the PCS system

THRU AXLE INSTALLATION

15AH4 BOLTED THRU AXLE ASSEMBLY

Note: Before installation, make sure to check the o-ring is correctly seated at the thread part.



1 Fully insert the axle on the drive-side.

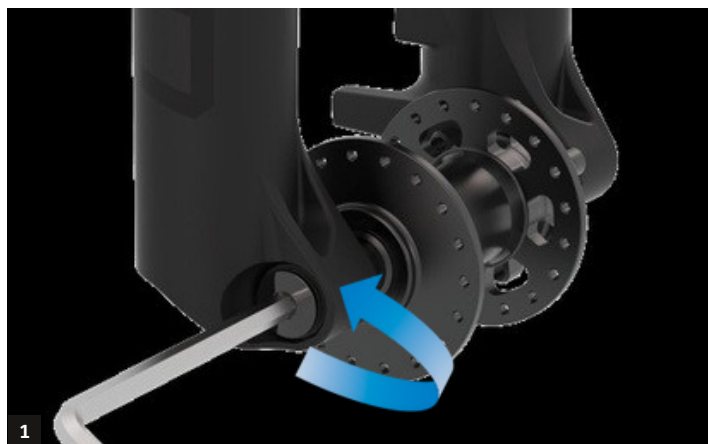


2 Tighten the axle with a 6mm Allen wrench by the suggested tightening torque of 8-10 Nm.

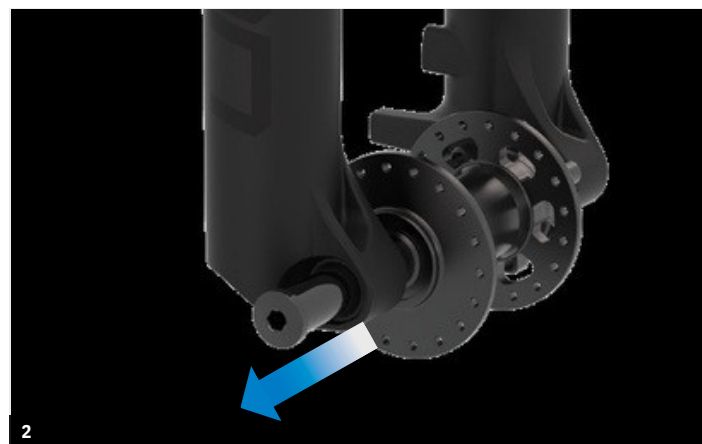


3 Check the axle's thread. It must be visible.

THRU AXLE REMOVAL

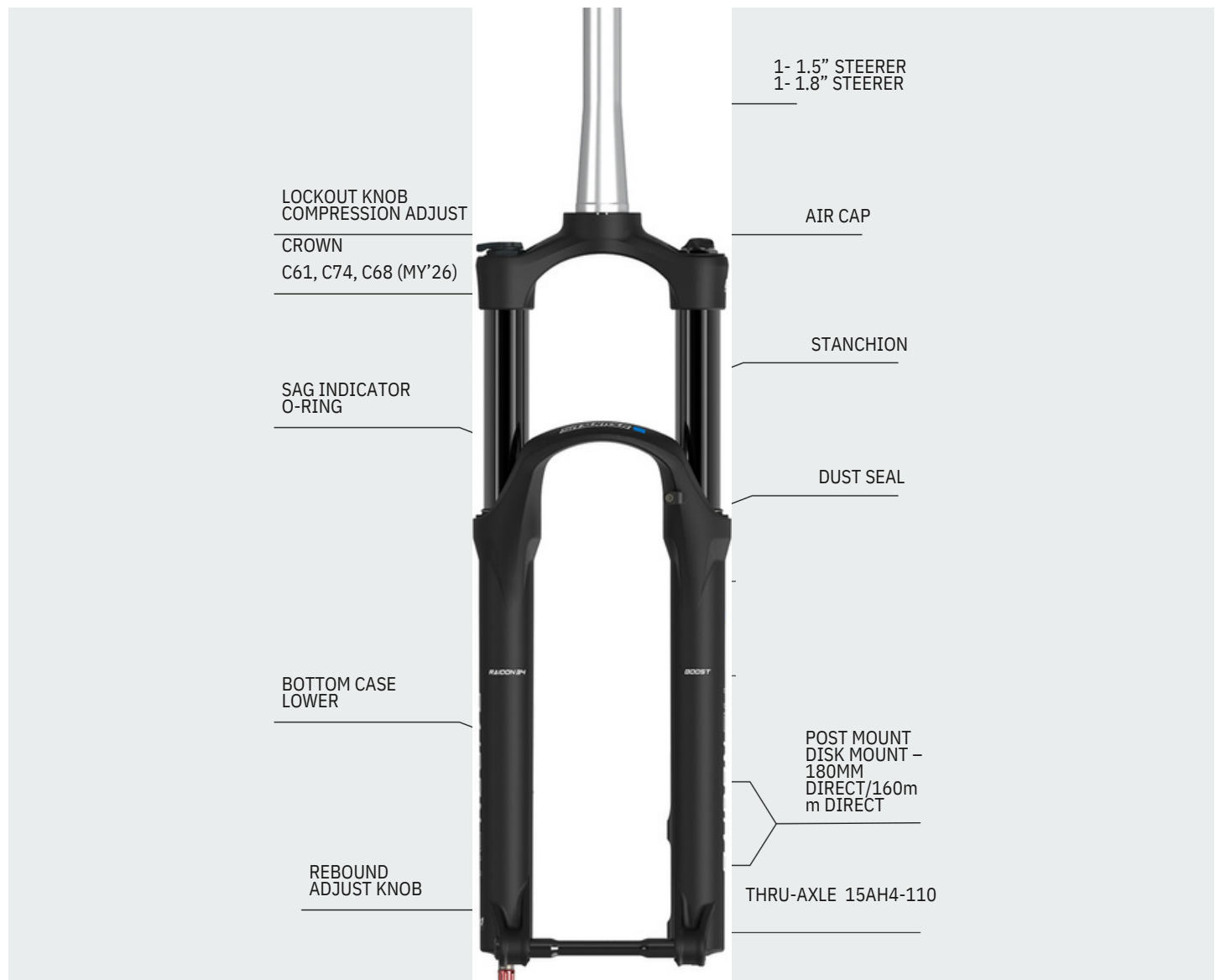


1 Loosen the axle on the drive side with a 6mm.



2 Pull out the axle.

TERMS AND SETUP



TOOLS NEEDED FOR THE ADJUSTMENT SETUP

- High pressure shock pump (up to 300psi)
- 27mm socket (item code ZFC160-R)
- Tape measure or caliper (for setting the SAG)
- Protective gloves and eyewear

BEFORE ADJUSTING YOUR FORK

The following setting recommendations have to be considered as starting points. After a few rides and once you get used to your fork, you might need to adjust it again so you feel even more comfortable and secure. Adjustments also depend on your riding style and the type of bike you use.

SAG / AIR PRESSURE SETTING

SAG is the amount of compression that the fork stanchion pushes down into the fork lower under body weight in the normal riding position and gear.

This is easily identified and measurable by how high the SAG indicator O-Ring (blue) sits above the fork's stanchion seal after the fork is air pressured to the appropriate Air pressure per rider's weight. See chart below for the recommended air pressure settings.



PER FORK STOCK TRAVEL	SAG MIN.-MAX. (mm)
100mm	15-30mm(15-30%)
110mm	16.5-33mm(15-30%)
120mm	18-36mm(15-30%)
130mm	19.5-39mm(15-30%)
140mm	21-42mm(15-30%)

RIDER WEIGHT (KG)	(lbs)	RECOMMENDED AIR PRESSURE
< 55 kg	< 121 lbs	50 - 70 psi
55 - 65 kg	121 - 143 lbs	70 - 80 psi
65 - 75 kg	143 - 165 lbs	80 - 90 psi
75 - 85 kg	165 - 187 lbs	90 - 100 psi
85 - 95 kg	187 - 209 lbs	100 - 125 psi
95 < kg	209 < lbs	125+ psi
PRESSURE (FACTORY SETTING)		125 psi
MAX. PRESSURE		145 psi

⚠ WARNING

Do **not exceed** max air pressure of 145Psi. Failure to comply with these instructions may cause serious damage to your product, injury or even death.

REBOUND SETTING

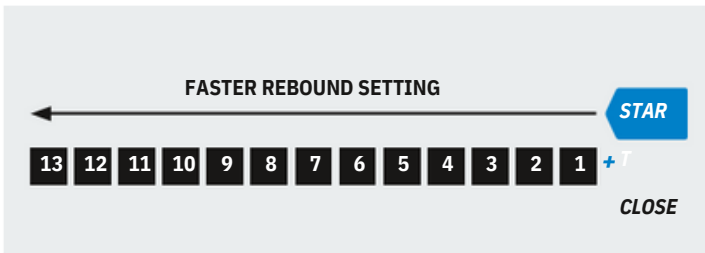


Rebound controls the speed of the fork extension after compression. Always start the rebound setting process with the rebound knob (located bottom of the drive-side of the fork) in closed position by turning the adjuster knob all the way to the end of the clock-wise position (+).

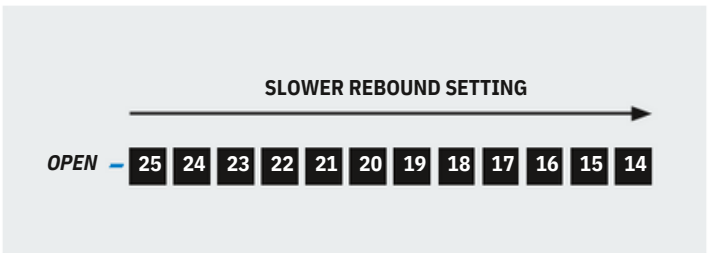
TO OPEN THE LOW-SPEED REBOUND

Turn the knob counter-clockwise toward the (-) to open the low-speed rebound. Each click allows the fork rebound faster per progression.

Note: Rebound tuning is relative to air pressure setting. Higher pressure should tune toward closed(+) setting. Lower pressure, in contrast, should set toward faster open setting (-).



For faster rebound, the counter clock-wise tuning should allow rider to stay leveled through fast and continuous bumps, causing compression to sink from mid to end of the stroke, thus increase chances of bottoming out and harsh impact and lost of traction.



For slower rebound, the clock-wise tuning should allow rider to skip over rougher terrain at slower speeds. Eliminating sharper feedback and gaining control in technical routes and jumps.

AIR VOLUME SETTING

VOLUME SPACERS

are available to further tune the air pressure setting by condensing the available air in piston chambers. Therefore, Making the fork compression more progressive and bottom-out resistant.

1. Make sure your fork is clean and free of any dirt, grease, moisture.
2. Unscrew and remove the Air cap (1).
3. Release ALL air pressure from the fork.
4. Use a 27mm socket tool (item code ZFC160-R) to loosen the Air cap assembly (2).
5. Pull out the Air cap assembly and add or remove the desired quantity of spacers to use in your fork (please

refer to the next page).

6. Be sure to apply grease onto the O-ring seal (3) to ensure a good sealing.
7. Re-insert the Air cap assembly (2) back into the stanchion and tighten the unit to appropriate torque (20Nm) per user manual.
8. Inflate the fork to the appropriate setting of choice with a shock pump.

⚠ WARNING

Improper installation of the volume spacers from above instruction may result in severe injury or death.

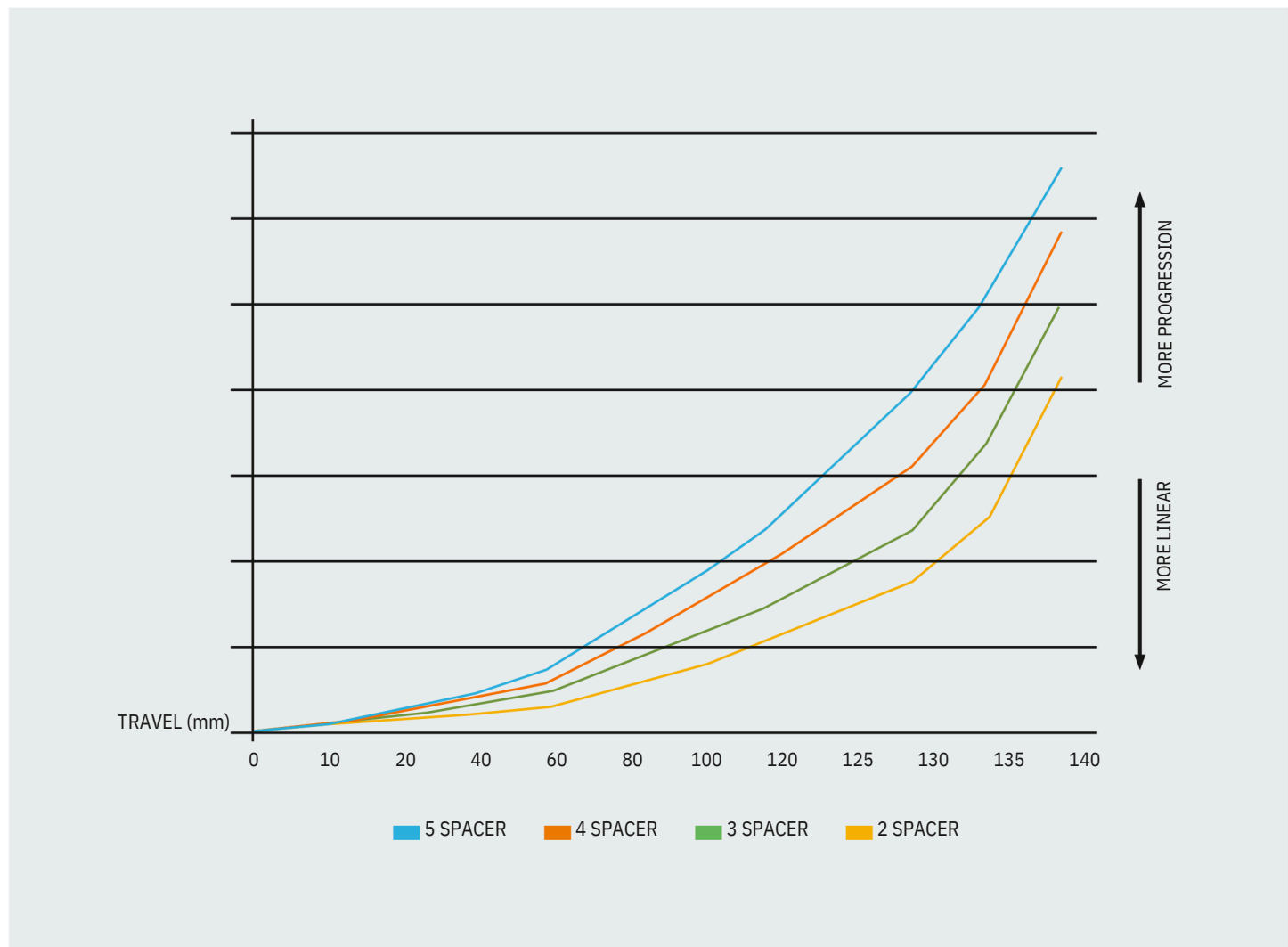


AIR VOLUME SETTING

VOLUME SPACERS

Adjust your spring curve by using different amount of rubber volume spacers.
 More spacers for more progression from mid-stroke to end of travel stroke. Less spacer for more comfort.

AXON 34 SERIES / AXON 34		
FEG270-10 volume spacers	Factory setting	Max. possible spacers
Travel 100	5/6	11/13
Travel 110	4/..	10/..
Travel 120	3/4	9/12
Travel 130	../3	../11
Travel 140	../2	../10



COMPRESSION ADJUSTMENT

2CR

Compression open mode: Turn the right-side adjuster knob counter-clockwise towards the “OPEN” direction.

Result: The fork is set to provide a supple feel with the full travel capacity.

Compression medium mode: Turn the right-side adjuster knob clockwise toward the “Firm” direction.

Result: The fork is set to provide maximum support in the uphill and flat sections. Do not use this mode in the descents.



R-2CR

Compression mode: Remote actuated 2 step (firm, open).

Extra : Ergonomic design remote lock lever for faster and easier operation



SERVICE INTERVALS GUIDE

Service intervals guide are provided to allow our customer to keep his product running in the best possible way.

Following this protocol assure customer to keep SR SUNTOUR product as good as new.

After every ride: Clean stanchions and dust wipers with light soapy water and wipe dry. Check the stanchion tubes for dents, scratches or other discoloration.

Before each ride: Check your SAG and adjust the pressure if necessary. Check the damper adjustments (compression/lockout and/or rebound)

Every 50 hours: Maintenance 1 (at the dealer)

Every 100 hours or once a year: Maintenance 2 (at the dealer, ideally before winter time in order to protect all parts from the effects of weather by proper greasing).

RECOMMENDED SERVICE ITEMS	AFTER EACH RIDE	AFTER 25 HOURS	AFTER 50 HOURS OR 6 MONTHS	AFTER 100 HOURS OR 12 MONTHS
Clean stanchion tubes and dust seals with soapy water and rinse with clear water	•			
Inspect stanchion tubes for wear	•			
Check fixing bolts and quick release for proper torque	•			
Clean fork with light soapy water and wipe dry	•			
Check air pressure and SAG		•		
Remove the quick release, check for deep marks in the fork dropouts		•		
Lower legs service			•	•
Air chamber service				•

SERVICE GUIDES

All the information you need to keep your Sr Suntour product working perfectly.

WARNING

Carefully read, understand and follow the instructions provided in this manual, and keep it in a safe place for future reference. If you have any doubt whatsoever regarding the use or maintenance of any SR SUNTOUR product, please contact SR SUNTOUR. Failure to follow these warnings and instructions can result in product malfunction, causing an accident, severe injury or death.

IMPORTANT SAFETY INFORMATION

- Read this manual thoroughly before using your suspension system.
- These instructions contain important information about the correct installation, service and maintenance of your suspension fork. Common mechanical knowledge may not be sufficient. Your suspension fork should only be installed, serviced and/or maintained by a trained and qualified bicycle mechanic with specialized tools.
- Our suspension systems contain fluids and gases under extreme pressure. Never try to open any SR SUNTOUR suspension system! Pieces can be violently ejected.
- SR SUNTOUR suspension forks are designed as a single integrated system. To avoid product malfunction and an accident, use only genuine SR SUNTOUR spare parts. The use of third-party supplier spare parts also voids the warranty of your suspension system.
- Your suspension fork is not intended for jumps, aggressive downhill rides, freeride or dirt jumping if the warning sticker on your suspension system prohibits these activities. Disregarding these instructions may cause your suspension fork to fail, resulting in an accident, personal injury or death, and will void the warranty.

WARNING

- SR SUNTOUR suspension fork is designed for use by a single rider.
- Select the correct suspension fork according to your frame's dimensions and your personal riding style. Installing a suspension fork which does not match the geometry of your frame could result in a failure of the suspension fork or frame could result in a failure of the suspension fork or frame itself and will void the shocks warranty. Failure of the suspension fork or frame itself and will void the shocks warranty.
- Know the limits of your skill and experience, and never ride beyond them.
 - Read, understand and follow all owner's manuals provided with your bike and all of its components.
- Always be equipped with proper safety gear. This includes a properly fitted and fastened helmet.

BEFORE EVERY RIDE

- Inspect your bicycle and suspension system including the handlebars, pedals, crank arms, seat post, saddle, etc. For any cracks, dents, bent or tarnished parts, Also search for any oil leaking out of your shocks. Be sure to check hidden areas on the underside of your bike. If any condition exists, consult a trained and qualified bicycle mechanic to determine the cause and make any necessary correction.
- Compress your suspension system with your body weight. If it feels too soft, make the necessary adjustments until you have reached the correct SAG value. Please also see the instruction in this manual regarding SAG.
- Make sure your brakes are properly installed/adjusted and work correctly.
- Spin the wheels. Make sure that wheels are perfectly centered and do not contact the suspension fork or brakes.
- If you are using a quick release system to fasten your wheel set, make sure that all levers and nuts are properly tightened. In case you are using a through axle system, make sure that all fixing bolts are tightened with the appropriate torque values. Strictly follow the instructions provided by the manufacturer of the quick release or through axle system.

LOWER LEGS SERVICE

REQUIRED TOOLS & SUPPLIES:

- Ratchet wrench
- 8mm allen key
- 5mm allen key
- 3mm allen key
- Torque wrench (5-12N.m)
- Plastic mallet
- Rag or workshop towel
- Downhill tyre removal tool
- Dust seal installer 34mm (Sr Suntour fork Toolbox)
- SR SUNTOUR “Low friction” grease or suspension grease without lithium
- Brush
- lower legs service kit : FKA122-02



⚠ WARNING

Do not attempt this intervention without the proper tool, you may damage your Sr Suntour product

⚠ WARNING

Always wear safety glasses and protective gloves during the maintenance of SR SUNTOUR products.

LOWER LEGS SERVICE

STEP 1

On the damper side, pull off the rebound adjuster knob to remove it, then set it aside.



STEP 2

Using an 8mm allen key, turn the exposed bolt counterclockwise 2 turns to loosen it.



With a mallet, hit the bolt 2-3 times. Check to ensure the bolt is in contact with the leg. Remove the bolt and set it aside.



LOWER LEGS SERVICE

STEP 3

On the air, use a 5mm allen key, turning it counterclockwise 3-4 turns to loosen the bolt.



Push on the bolt 2-3 times. Remove the bolt and set it aside. Check the bolt and washer for damaged, if damaged, replace.



STEP 4

A)FOAM RING and LOWER LEGS maintenance

Carefully remove the foam rings with a pick and rinse with isopropyl alcohol. Remove the degreaser by pressing them using a clean rag. Repeat the process if necessary.



Remove the isopropyl alcohol by pressing them using a clean rag. Repeat the process if necessary.



LOWER LEGS SERVICE

Use a workshop towel to clean the inner walls of the lower legs.



Soak the foam rings into 15WT 100% synthetic suspension oil for 5-10 minutes and reinstall them.



STEP 4

B) DUST SEAL AND BUSHING LUBRICATION

If the dust seals are in good condition, simply clean and degrease them using a clean workshop rag or towel. Clean and grease the bushings as well as the dust seals using the dedicated SR SUNTOUR “Low-Friction” grease.



LOWER LEGS SERVICE

STEP 5 – NEW DUST SEAL / FOAM RINGS

Hold the lower legs and remove the dust seals using a DH tire removal tool. If using a wrench, use caution not to damage the inside of the lowers.



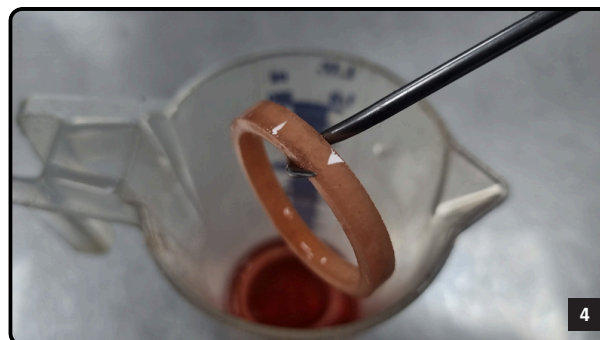
Remove the foam rings from both sides and discard them.



Use a workshop towel to clean the inner walls of the lower legs.



Take the new foam rings and soak them in 15wt oil for 5-10 minutes.



Place the new dust seal onto the dedicated installation tool and press the seal by hand into the fork lowers.



LOWER LEGS SERVICE

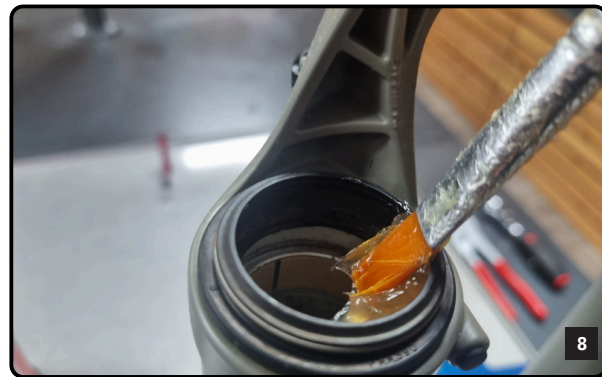
Hold the lower legs with one hand and finish the installation by tapping the installation tool with a plastic mallet. Once you hear a change in the tapping sound, remove the tool and check that the seal edge is flush with the lower leg. If necessary, repeat the process until the seal is flush with the lower leg.



Install the new foam rings.



Grease the bushings and dust seals using the dedicated SR SUNTOUR "Low-Friction" grease.



STEP 6

Clean the stanchions. Fully extend the damper cartridge and install the lower legs.



LOWER LEGS SERVICE

STEP 7

Make sure the damper cartridge shaft is aligned with the lower leg hole. If not, use a 3mm Allen key to center the shaft.



DAMPER SIDE

First thread the bolt in by hand.



Use an 8mm Allen key to tighten the bolt to 12Nm.



LOWER LEGS SERVICE

Use a 3mm Allen key to set the rebound to fully-open (turning it counterclockwise) then close it by 1-2 turns (turning it clockwise).



Install the rebound adjuster knob by pressing it into the bolt. Now, re-adjust your rebound setting by hand.



AIR SIDE

Install both the washer and nut. Use a torque wrench with 10mm socket and tighten to 8Nm.



AIR CHAMBER SERVICE

REQUIRED TOOLS & SUPPLIES:

- Ratchet wrench
- 27mm socket (ZFC160-R)
- Torque wrench (2-20N.m)
- O-ring removal tool
- Air chamber oil 15W50 synthetic oil
- Rag or workshop towel
- SR SUNTOUR “Low friction” grease or suspension without lithium
- Brush
- High pressure pump (Shock pump)
- Air service kit : FKA121-06

WARNING

Always wear safety glasses and protective gloves during the maintenance of SR SUNTOUR products.

WARNING

Do not attempt this intervention without the proper tool, you may damage your Sr Suntour product

AIR CHAMBER SERVICE

STEP 1

Remove the lower legs. Refer to the procedure “LOWER LEGS SERVICE...” specific to your fork.

STEP 2

Remove the air cap.



Depressurize the air chamber.



AIR CHAMBER SERVICE

STEP 3

Use the dedicated 27mm socket and a ratchet to unscrew the air cap assembly

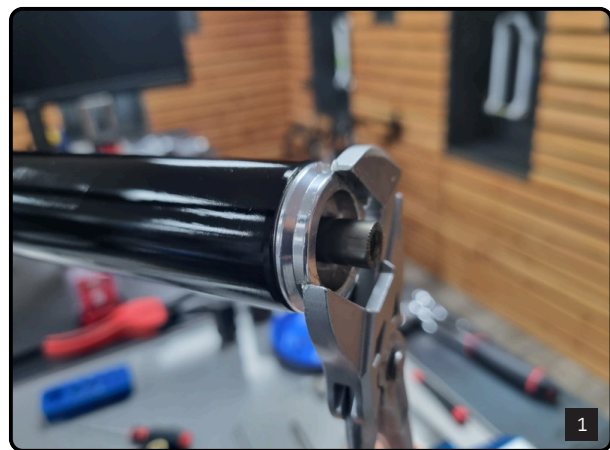


Remove the top cap assembly for the crown.



STEP 4

With a flat jaw plier or a 21mm crowfoot, untighten the nose piece.



AIR CHAMBER SERVICE

Remove the EQ air shaft from the stanchion.



STEP 5

Spray some brake cleaner on a workshop towel.
Use a plastic shaft to push the towel through the stanchion.
Inspect the inner surface of the stanchion
and check for potential scratches.



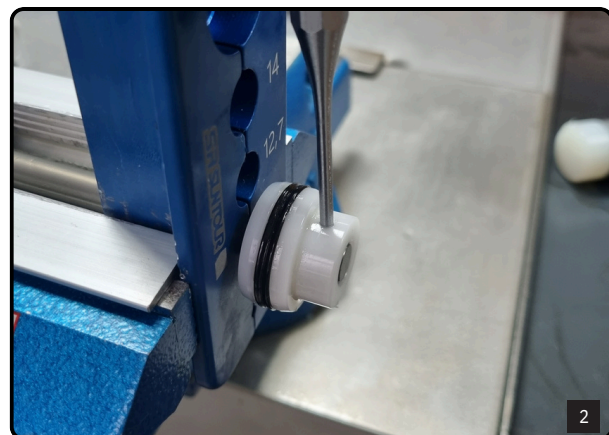
AIR CHAMBER SERVICE

STEP 6

Slide the spacer, bumper, and nose piece down to expose the shaft. Clean the shaft with brake cleaner and a workshop towel. Use 10 mm clamps to hold the shaft in a vise. Tighten the assembly just under the piston.



Use a 2.5mm pin pusher and a mallet to remove pin from air piston.



Remove air piston from the shaft.



AIR CHAMBER SERVICE

STEP 7

Remove the plastic spacer, bumper and nose piece from the shaft and set them aside.



STEP 8

Use a pick to remove the x-ring.



Clean the seal seat with a rag.



Grease and install the new x-ring.



STEP 9

Remove the O-ring seal, use a pick if necessary.



With a rag and isopropyl alcohol, clean the seal seat. .



Put the new O-ring seal in place and grease it with sr suntour low friction grease.



STEP 10

On the shaft, remove the O-ring with a pick..



Clean the seal seat with a rag and isopropyl alcohol.



Install the new O-ring, then grease it with sr
suntour low friction grease. .



STEP 11

Hold the air piston and remove the quad ring, use a pick if necessary.



Clean the air piston with a rag and isopropyl alcohol.

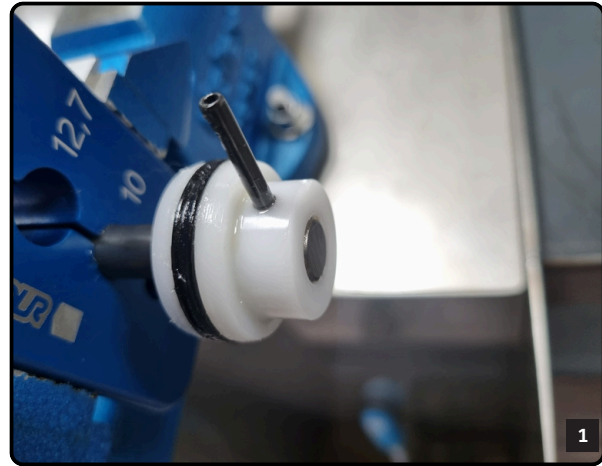


Install the new quad ring and grease it with Sr Suntour low friction grease.



STEP 12

Clamp the shaft in the vise, 5cm from the o-ring, put the air piston back in place..



With a 2.5mm pin pusher, push the pin in place, check alignment between pin and shaft before.



Put back all the parts on the shaft and insert the shaft in the stanchion.



AIR CHAMBER SERVICE

Torque it to 2.7 Nm.



STEP 13

Inject 1-2cc of air chamber oil directly in the stanchion.
**Do not exceed 2cc of oil, as too much could block the air transfer
between the positive and negative air chambers.**



Apply grease to the air cap assembly o-ring.



AIR CHAMBER SERVICE

STEP 17

Install the air cap assembly in the left stanchion using the dedicated 27 mm socket and ratchet, and torque to 15Nm.



STEP 18

Pressurize the air spring to 70 psi and refer to the lower legs tutorial to install back the lower.

TRAVEL CONVERSION

REQUIRED TOOLS & SUPPLIES:

- 27mm socket (ZFC160-R)
- Ratchet wrench
- Torque wrench
- Plastic mallet
- O-ring removal tool
- Air chamber oil , 15W50 synthetic oil
- SR SUNTOUR “Low-Friction” grease or suspension grease without lithium
- Brush
- Rag or workshop towel

WARNING

Always wear safety glasses and protective gloves during the maintenance of SR SUNTOUR products.

WARNING

Do not attempt this intervention without the proper tool, you may damage your Sr Suntour product

TRAVEL CONVERSION

STEP 1

Remove the lower legs. Refer to the procedure "LOWER LEGS SERVICE..." specific to your fork.

STEP 2

Remove the air cap.



Depressurize the air chamber.



TRAVEL CONVERSION

STEP 3

Use the dedicated 27mm socket and a ratchet to unscrew the air cap assembly

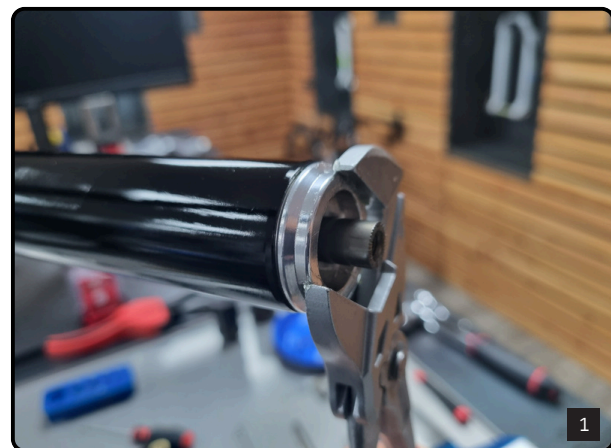


Remove the top cap assembly for the crown.



STEP 4

With a flat jaw plier or a 21mm crowfoot, untighten the nose piece.



TRAVEL CONVERSION

Remove the EQ air shaft from the stanchion.



STEP 5

Spray some brake cleaner on a workshop towel.
Use a plastic shaft to push the towel through the stanchion.
Inspect the inner surface of the stanchion
and check for potential scratches.



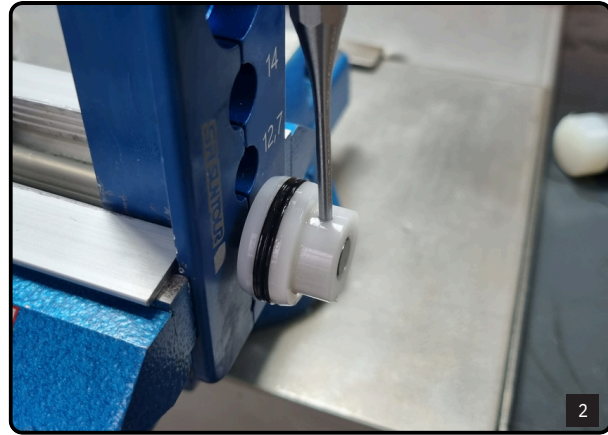
STEP 6

Slide the spacer, bumper, and nose piece down to
expose the shaft. Clean the shaft with brake cleaner
and a workshop towel. Use 10 mm clamps to hold
the shaft in a vise. Tighten the assembly just under
the piston.



TRAVEL CONVERSION

Use a 2.5mm pin pusher and a mallet to remove pin from air piston.

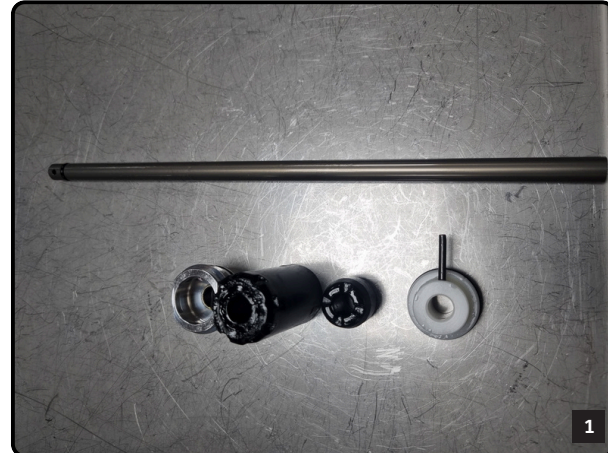


Remove air piston from the shaft.



STEP 7

Remove the plastic spacer, bumper and nose piece from the shaft, replace the shaft to change travel.



TRAVEL CONVERSION

STEP 8

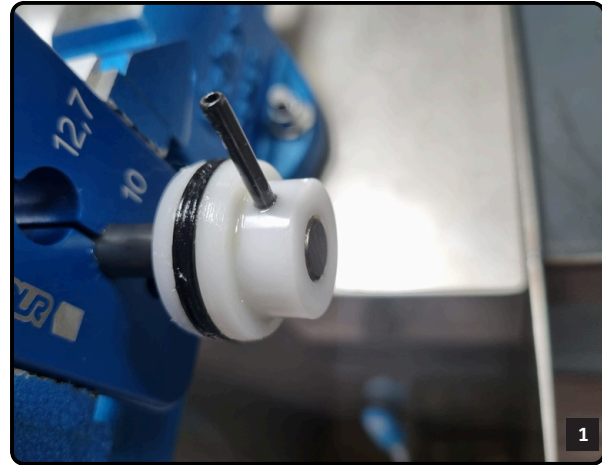
Disassemble, clean (rag and isopropyl alcohol) and grease (Sr Suntour low friction) each element of the air assembly.



TRAVEL CONVERSION

STEP 9

Clamp the shaft in the vise, 5cm from the o-ring, put the air piston back in place..



With a 2.5mm pin pusher, push the pin in place, check alignment between pin and shaft before.



Put back all the parts on the shaft and insert the shaft in the stanchion.



Torque it to 2.7 Nm.



TRAVEL CONVERSION

STEP 10

Inject 1-2cc of air chamber oil directly in the stanchion.
Do not exceed 2cc of oil, as too much could block the air transfer between the positive and negative air chambers.



Apply grease to the air cap assembly o-ring.



STEP 17

Install the air cap assembly in the left stanchion using the dedicated 27 mm socket and ratchet, and torque to 15Nm.



STEP 18

Pressurize the air spring to 70 psi and refer to the lower legs tutorial to install back the lower.

CARTRIDGE REPLACEMENT

REQUIRED TOOLS & SUPPLIES:

- 27mm socket (ZFC160-R)
- Ratchet wrench
- 8mm allen key
- 5mm allen key
- Torque wrench (8-20N.m)
- Flat screwdriver or pick
- Plastic mallet
- Rag or workshop towel
- Plastic tyre lever

⚠ WARNING

Do not attempt this intervention without the proper tool, you may damage your Sr Suntour product

⚠ WARNING

Always wear safety glasses and protective gloves during the maintenance of SR SUNTOUR products.

STEP 1

On the damper side, pull off the rebound adjuster knob to remove it, then set it aside.



STEP 2

Using an 8mm allen key, turn the exposed bolt counterclockwise 2 turns to loosen it.



CARTRIDGE REPLACEMENT



With a mallet, hit the bolt 2-3 times. Check to ensure the bolt is in contact with the leg. Remove the bolt and set it aside.



STEP 3

Using an 8mm allen key, turn the exposed bolt counterclockwise 2 turns to loosen it.



STEP 4

Using an 8mm allen key, turn the exposed bolt counterclockwise 2 turns to loosen it.



CARTRIDGE REPLACEMENT

STEP 5

Use a 3mm allen key to untighten lower parts of the RL-RC top cap.



STEP 6

Remove lower cartridge assembly for the fork.



STEP 7

Install the cartridge assembly in a vise with alloy clamp. Clamp it just under the top cap.



CARTRIDGE REPLACEMENT

STEP 8

Untighten the top cap screw with a 5mm allen key. If it turn without untighten the screw, clamp the cartridge harder in the vise.



STEP 9

With a plastic mallet, hit the head by under to remove it from the cartridge.



STEP 10

Put the new cartridge in the vise, clamp it close to the head, install back the top cap.



STEP 11

With a 5mm allen key, tighten top screw of the cartridge, torque it at 8N.m



CARTRIDGE REPLACEMENT

STEP 12

Put back the cartridge assembly in the fork.



STEP 13

With a 27mm specific socket, tighten top cap of the cartridge in the fork. Torque it to 20N.m



STEP 14

With a 4mm allen key, go inside the cartridge fixing screw and set lock at lock position.



CARTRIDGE REPLACEMENT

STEP 14

Put back lock link and lock knob in the top cap of the cartridge.



STEP 15

Put back in place the screw with a 8mm allen key, torque it to 8N.m.



STEP 16

Put back the rebound knob in place.



REFINED SIMPLICITY

SR SUNTOUR is a Japanese owned bicycle components suspension and drive train products for the widest range manufacturer, operating factories in Taiwan, China, and of people, from World Cup podiums, urban mobility to a Vietnam, with R&D and service offices collaborating kid's first bike. Our goal is to be the industry leader in value globally for the success of one of the world's most performance, reliability, durability, and serviceability prominent bicycle suspension components manufacturer. following our guiding principle REFINED SIMPLICITY. With this global infrastructure we strive to create With roots tracing back to 1912, established 1988.

SOCIAL MEDIA / CONTACT



SOCIAL MEDIA
CLICK TO VISIT
SR SUNTOUR ONLINE



CONTACT
CLICK TO CONTACT OUR
WORLDWIDE DISTRIBUTORS



SR SUNTOUR CORPORATE

TAIWAN HEADQUARTER

SR SUNTOUR INC.
#7 Hsing Yeh Rd.,
Fu Hsing Industrial Zone, Chang Hua
Taiwan 506027
Tel. +886-4-7695115
Fax. +886-4-7694028
service@srsuntour.com.tw

JAPAN

SR SUNTOUR JAPAN
NR Bldg. 4F, 3-13-13
Kuramae, Taito-ku,
Tokyo 111-0051, Japan
Tel. +81-(0)3-5829-9211
Fax. +81-(0)3-5829-9241

BELGIUM (EU)

SR SUNTOUR EUROPE S.A.
Bld. Henri Rolin 5Bis
1410 Waterloo Belgium
Tel. +32-23544676
Fax. +32-23547835
Sales.sab@srsuntourcycling.com

CHINA (SHEN ZHEN) SR

SUNTOUR SHEN ZHEN CO. LTD
Suibei Industrial Zone, Suibei Rd.,
Gongming Town, Guangming
District, Shen Zhen, China Tel.
+86-755-27105433 Fax. +86-

755-27105633

CHINA (KUN

SHAN) SR SUNTOUR KUN SHAN
CO. LTD 1500 Honghu Rd., Peng
Lang, Kun Shan Development
Zone, Jiang Su Province, China Tel.
~~+86-512-5518-8088~~ Fax. ~~+86-~~
512-5517-1117

GERMANY (EU)

SR SUNTOUR EUROPE GMBH
Riedstrasse 31
83627 Warngau
Germany
Tel. +49-8021-50793-0
Fax. +49-8021-50793-29
service@srsuntour-cycling.com

GERMANY (EU)

SR SUNTOUR DÜSSELDORF GMBH
Fichtenstr. 115
40233 Düsseldorf
Germany
Tel. +49-2115-42689-50
Fax. +49-2115-42347-76

USA

SR SUNTOUR NORTH AMERICA
14511 NE 10th Avenue
Vancouver WA 98685
United States
Tel. 360-737-6450
service@srsuntourna.com

USA

SR SUNTOUR SERVICE CENTER
910 Watson Avenue
Madison WI 53713
United States
Tel. 608-229-6610
service@usulcorp.com

VIETNAM SR SUNTOUR

VIETNAM CO. LTD Lot. 17-8,
Street 3B, Protrade International
Tech Park, An Tay Commune, Ben
Cat Town, Binh Duong Province,
Vietnam. Tel. +84-(0)274-3721-
883 Tax Code: 3702401047

FRANCE (EU)

SR SUNTOUR FRANCE SAS
Alpespace
604 Voie Galilée,
73800 Sainte-Hélène-Du-Lac, France
Tel. +33-4-85-86-00-99
Fax. +33-4-79-28-69-71
sav@srsuntour-cycling.com

WWW.SRSUNTOUR.COM

Copyright © 2024 SR SUNTOUR inc. All rights reserved.
Specifications are subject to change for improvement
without notice.

