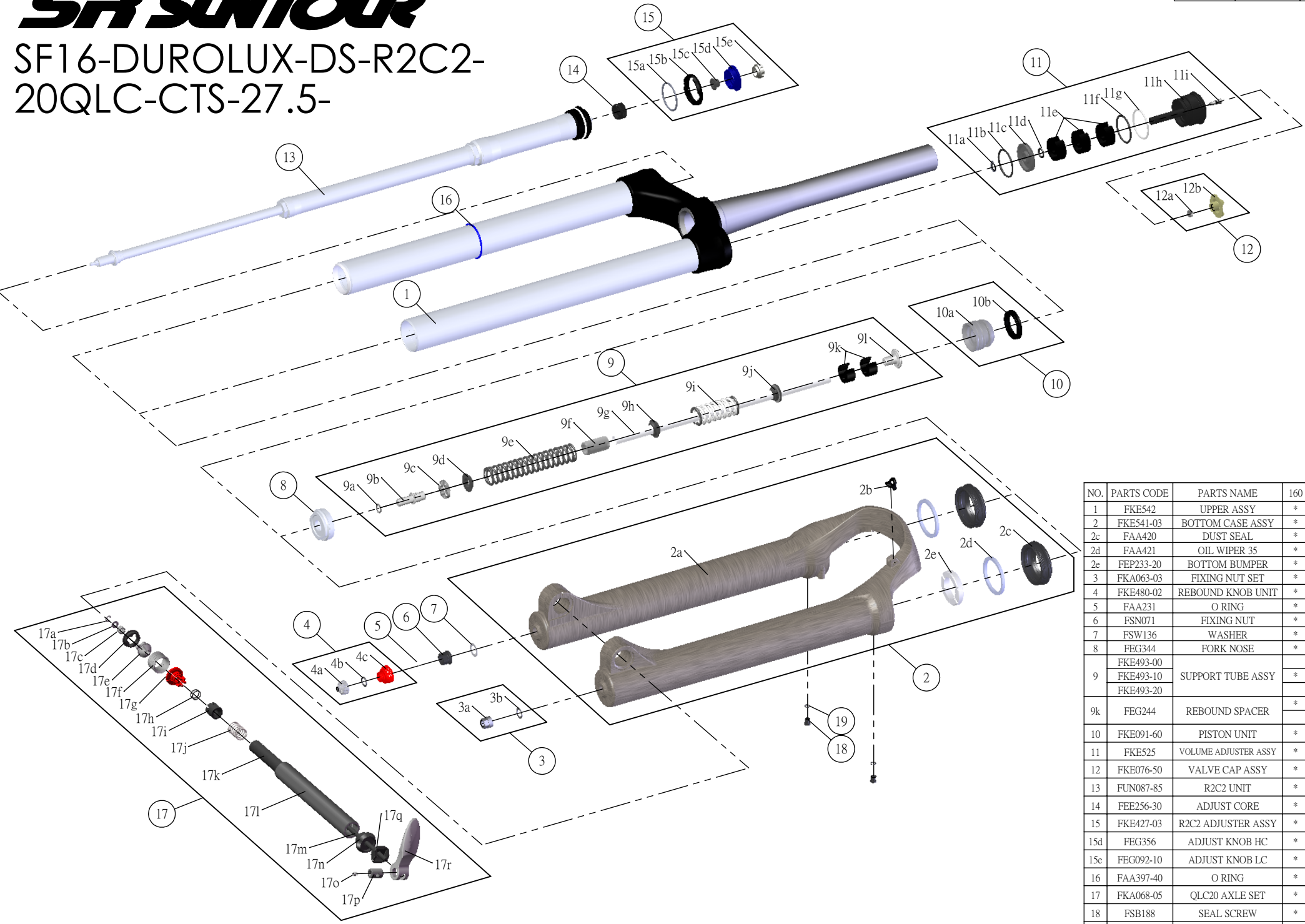


SR SUNTOUR

SF16-DUROLUX-DS-R2C2-
20QLC-CTS-27.5-

Date	2015.05.25	Version	1
Amended			



NO.	PARTS CODE	PARTS NAME	160	170	180	QT
1	FKE542	UPPER ASSY	*	*	*	1
2	FKE541-03	BOTTOM CASE ASSY	*	*	*	1
2c	FAA420	DUST SEAL	*	*	*	2
2d	FAA421	OIL WIPER 35	*	*	*	2
2e	FEP233-20	BOTTOM BUMPER	*	*	*	1
3	FKA063-03	FIXING NUT SET	*	*	*	1
4	FKE480-02	REBOUND KNOB UNIT	*	*	*	1
5	FAA231	O RING	*	*	*	1
6	FSN071	FIXING NUT	*	*	*	1
7	FSW136	WASHER	*	*	*	1
8	FEG344	FORK NOSE	*	*	*	1
9	FKE493-00	SUPPORT TUBE ASSY	*			1
	FKE493-10					1
	FKE493-20		*			1
9k	FEG244	REBOUND SPACER	*			2
10	FKE091-60	PISTON UNIT	*	*	*	1
11	FKE525	VOLUME ADJUSTER ASSY	*	*	*	1
12	FKE076-50	VALVE CAP ASSY	*	*	*	1
13	FUN087-85	R2C2 UNIT	*	*	*	1
14	FEE256-30	ADJUST CORE	*	*	*	1
15	FKE427-03	R2C2 ADJUSTER ASSY	*	*	*	1
15d	FEG356	ADJUST KNOB HC	*	*	*	1
15e	FEG092-10	ADJUST KNOB LC	*	*	*	1
16	FAA397-40	O RING	*	*	*	1
17	FKA068-05	QLC20 AXLE SET	*	*	*	1
18	FSB188	SEAL SCREW	*	*	*	2
19	FAA270	O RING	*	*	*	2