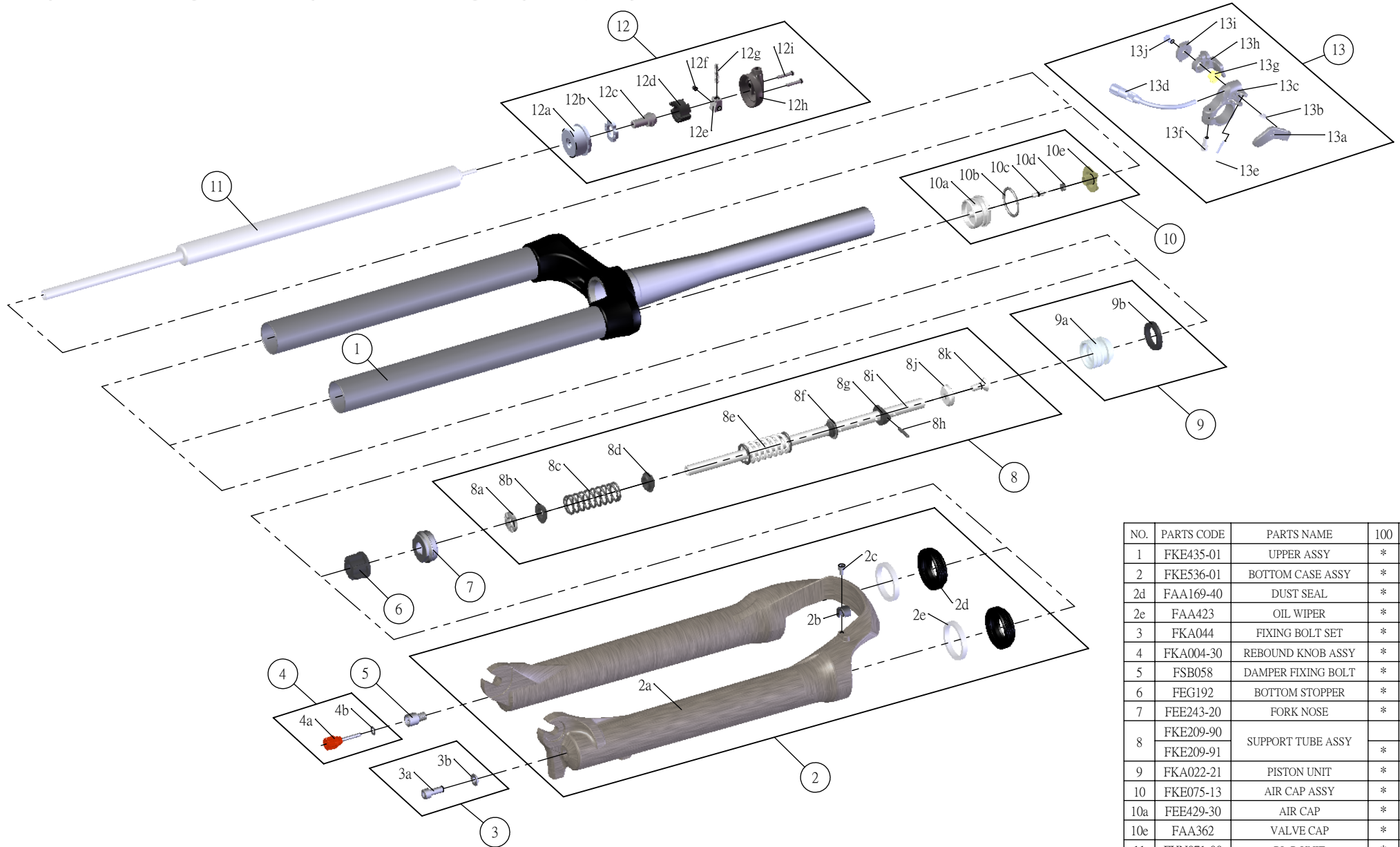


# SUNTOUR

## SF16-EPIXON-DS-RL-R-CTS-27.5-

|         |            |         |   |
|---------|------------|---------|---|
| Date    | 2015.01.05 | Version | 1 |
| Amended |            |         |   |



| NO. | PARTS CODE | PARTS NAME         | 100 | 120 | QT |
|-----|------------|--------------------|-----|-----|----|
| 1   | FKE435-01  | UPPER ASSY         | *   | *   | 1  |
| 2   | FKE536-01  | BOTTOM CASE ASSY   | *   | *   | 1  |
| 2d  | FAA169-40  | DUST SEAL          | *   | *   | 2  |
| 2e  | FAA423     | OIL WIPER          | *   | *   | 2  |
| 3   | FKA044     | FIXING BOLT SET    | *   | *   | 1  |
| 4   | FKA004-30  | REBOUND KNOB ASSY  | *   | *   | 1  |
| 5   | FSB058     | DAMPER FIXING BOLT | *   | *   | 1  |
| 6   | FEF192     | BOTTOM STOPPER     | *   | *   | 1  |
| 7   | FEE243-20  | FORK NOSE          | *   | *   | 1  |
| 8   | FKE209-90  | SUPPORT TUBE ASSY  |     | *   | 1  |
|     | FKE209-91  |                    | *   |     | 1  |
| 9   | FKA022-21  | PISTON UNIT        | *   | *   | 1  |
| 10  | FKE075-13  | AIR CAP ASSY       | *   | *   | 1  |
| 10a | FEE429-30  | AIR CAP            | *   | *   | 1  |
| 10e | FAA362     | VALVE CAP          | *   | *   | 1  |
| 11  | FUN071-00  | RL-R UNIT          | *   | *   | 1  |
| 12  | FKE310-30  | RL COVER ASSY      | *   | *   | 1  |
| 12a | FEE418-02  | FIX CAP            | *   | *   | 1  |
| 12h | FEE939     | RL COVER           | *   | *   | 1  |
| 13  | SL12SC-RLO | REMOTE LEVER ASSY  | *   | *   | 1  |