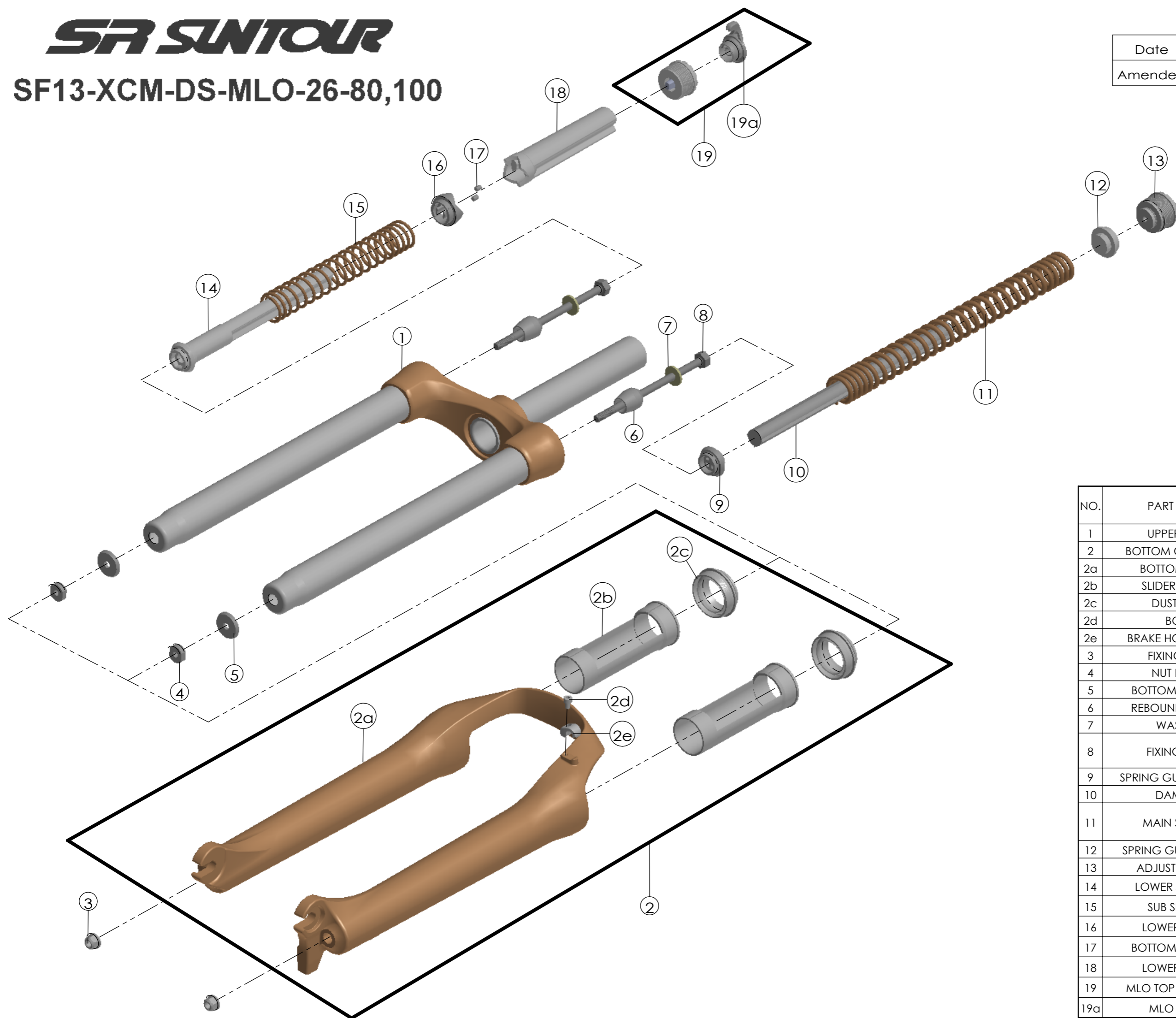


# SUNTOUR

## SF13-XCM-DS-MLO-26-80,100

Date	2012.6.7	Version	1
Amended			



NO.	PART NAME	PART CODE	QTY.	
			80	100
1	UPPER ASSY	FKZ010-01	1	1
2	BOTTOM CASE ASSY	FKZ024-10	1	1
2a	BOTTOM CASE	FPB340	1	1
2b	SLIDER SLEEVE	FEE785	2	2
2c	DUST SEAL	FAA070-10	2	2
2d	BOLT	FSB153	1	1
2e	BRAKE HOSE GUIDE	FEE797	1	1
3	FIXING NUT	FSN023	2	2
4	NUT PLATE	FSN025	2	2
5	BOTTOM STOPPER	FEE465	2	2
6	REBOUND RUBBER	FEP086-10	2	2
7	WASHER	FSW003	2	2
8	FIXING BOLT	FSB107-10	2	-
		FSB107	-	2
9	SPRING GUIDE LOWER	FEE593-10	1	1
10	DAMPER	FEP322-10	1	1
11	MAIN SPRING	FEP326-10	1	-
		FEP323-30	-	1
12	SPRING GUIDE UPPER	FEE592-10	1	1
13	ADJUST SYSTEM	FKE009-11	1	1
14	LOWER STOPPER	FEE590-10	1	1
15	SUB SPRING	FEP324-10	1	1
16	LOWER INDEX	FEE591-10	1	1
17	BOTTOM DAMPER	FEP263	2	2
18	LOWER INDEX	FEE589-10	1	1
19	MLO TOP CAP ASSY	FKE078-12	1	1
19a	MLO KNOB	FEE493-20	1	1