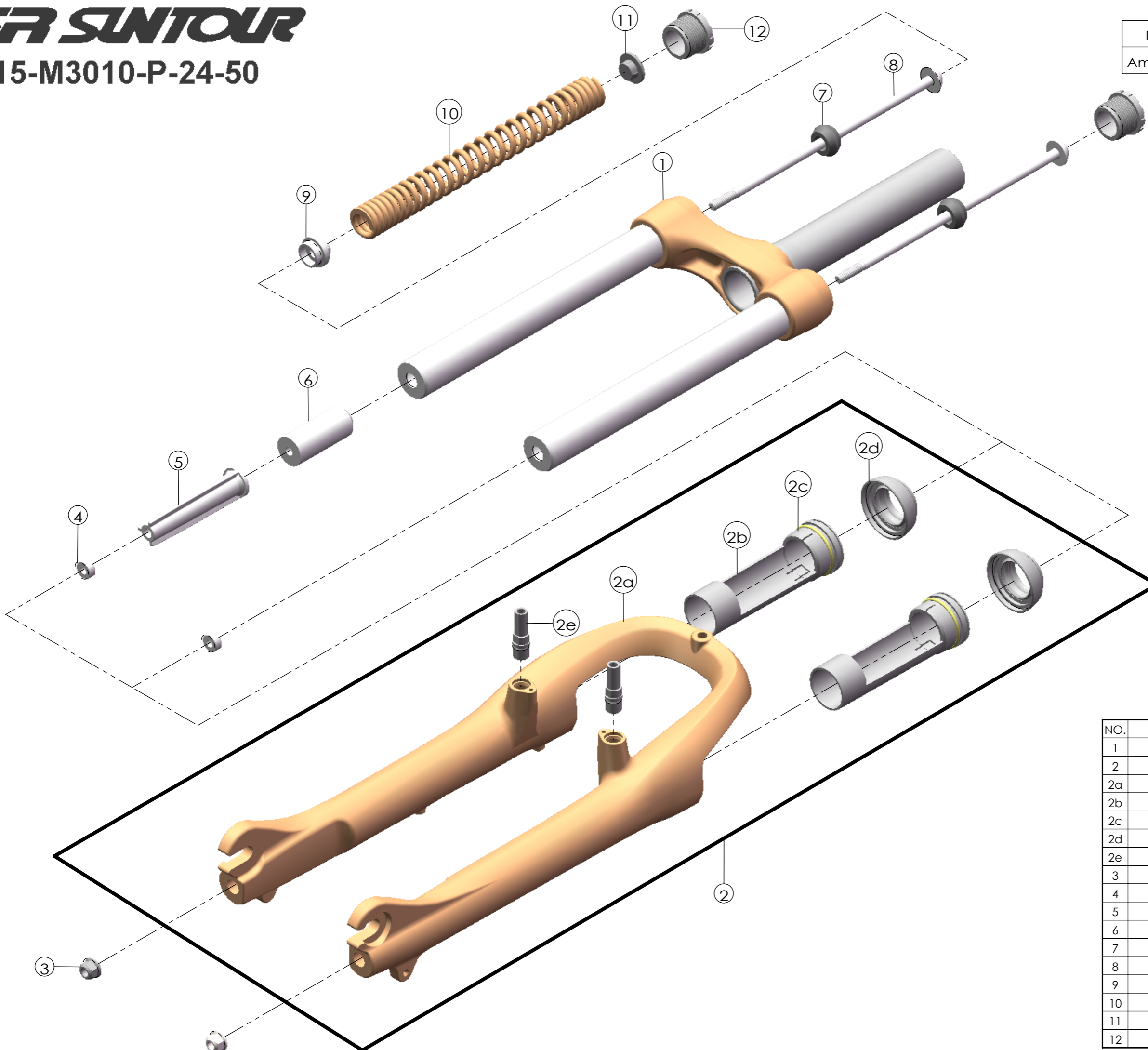


SUNTOUR

SF15-M3010-P-24-50

Date	2014.2.26	Version	1
Amended			



NO.	PART NAME	PART CODE	QTY.
1	UPPER ASSY	FKZ064-01	1
2	BOTTOM CASE ASSY	FKZ065-10	1
2a	BOTTOM CASE	FPB396-AA	1
2b	SLIDER SLEEVE	FEE475	2
2c	O RING	FAA188	2
2d	DUST SEAL	FAA123	2
2e	CANTI BOSS	FSB241-16	2
3	FIXING NUT	FSN023	2
4	NUT PLATE	FSN025-10	2
5	BOTTOM STOPPER	FEG045	1
6	DAMPER	FEP065	1
7	REBOUND RUBBER	FEP695	2
8	FIXING BOLT	FSB157-00	2
9	SPRING GUIDE	FEE385	1
10	MAIN SPRING	FEP521	1
11	SPRING GUIDE	FEE384	1
12	FIXING CAP	FEE134	2