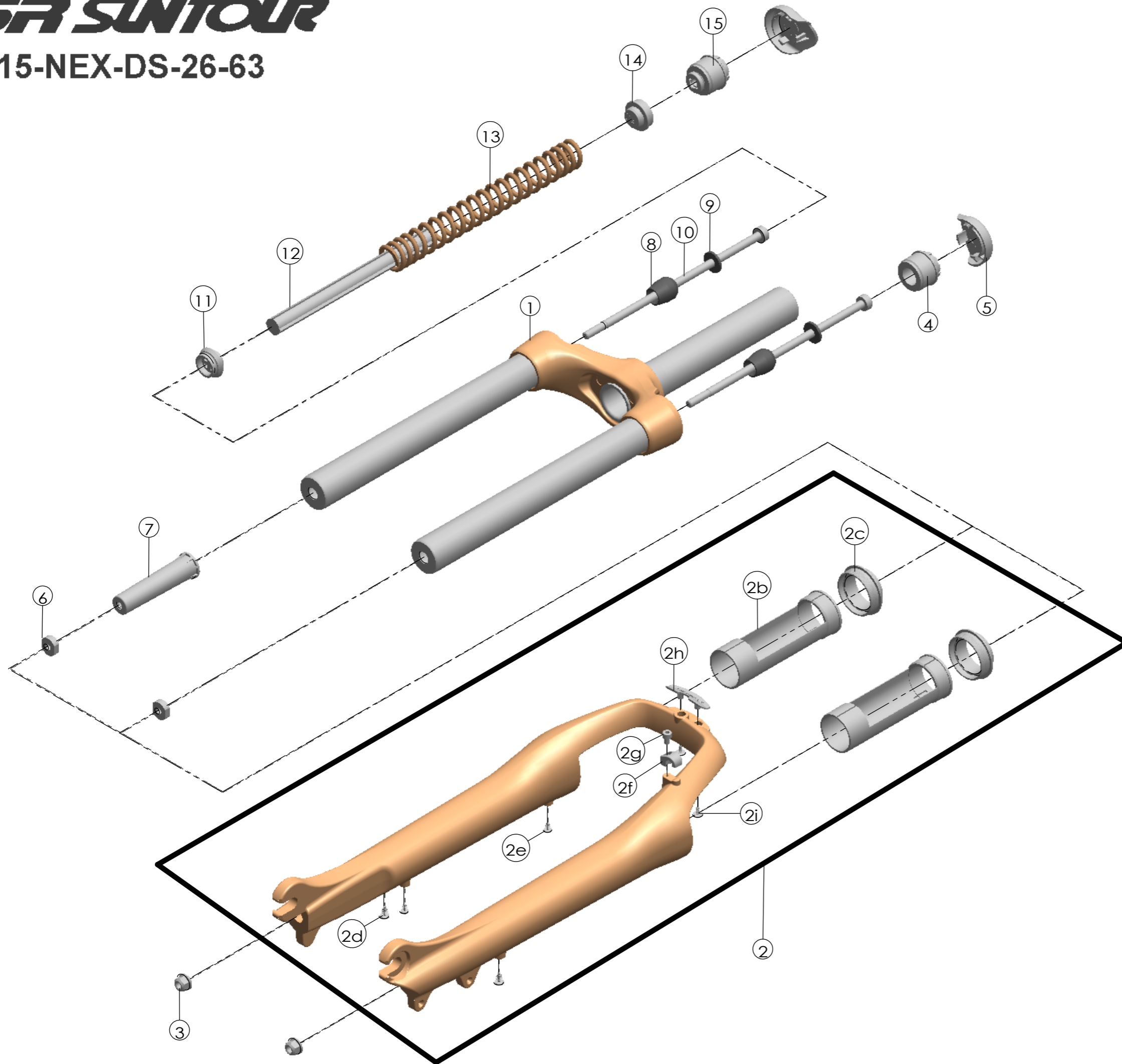


# SUNTOUR

## SF15-NEX-DS-26-63

Date	2014.3.15	Version	1
Amended			



NO.	PART NAME	PART CODE	QTY.
1	UPPER ASSY	FKZ021-01	1
2	BOTTOM CASE ASSY	FKE417	1
2a	BOTTOM CASE	FPB324	1
2b	SLIDER SLEEVE	FEE942	2
2c	DUST SEAL	FAA125-40	2
2d	MOUNT CAP	FAA199	2
2e	MOUNT CAP	FAA199-10	2
2f	HOSE GUIDE	FEE797	1
2g	FIXING BOLT	FSB153	1
2h	BRACE COVER	FEE716	1
2i	TAPPING SCREW	FSB114-20	2
3	FIXING NUT	FSN023	2
4	FIXING CAP	FEE810-40	1
5	PRELOAD COVER	FEG139	2
6	NUT PLATE	FSN025	2
7	BOTTOM STOPPER	FEE451	1
8	REBOUND RUBBER	FEP086-10	2
9	WASHER	FSW003	2
10	FIXING BOLT	FSB067-90	2
11	SPRING GUIDE	FEE468-10	1
12	DAMPER	FEP262-50	1
13	MAIN SPRING	FEP417	1
14	SPRING GUIDE	FEE467-10	1
15	ADJUST SYSTEM	FKE213-03	1