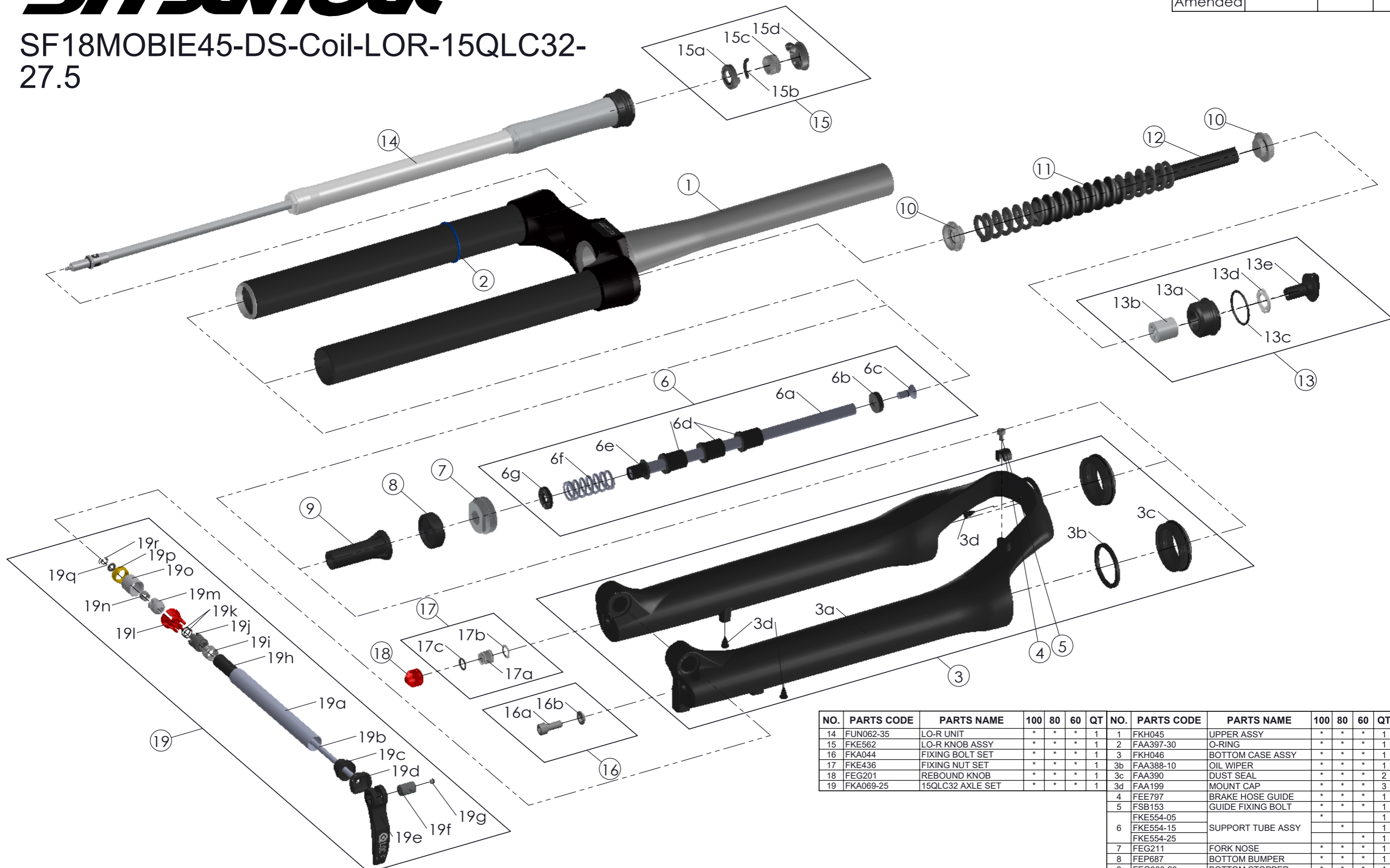


# SR SUNTOUR

SF18MOBIE45-DS-Coil-LOR-15QLC32-27.5

|         |            |         |   |
|---------|------------|---------|---|
| Date    | 2017.-4.21 | Version | 0 |
| Amended |            |         |   |



| NO. | PARTS CODE | PARTS NAME       | 100 | 80 | 60 | QT | NO. | PARTS CODE | PARTS NAME        | 100 | 80 | 60 | QT |
|-----|------------|------------------|-----|----|----|----|-----|------------|-------------------|-----|----|----|----|
| 14  | FUN062-35  | LO-R UNIT        | *   | *  | *  | 1  | 1   | FKH045     | UPPER ASSY        | *   | *  | *  | 1  |
| 15  | FKE562     | LO-R KNOB ASSY   | *   | *  | *  | 1  | 2   | FAA397-30  | O-RING            | *   | *  | *  | 1  |
| 16  | FAA044     | FIXING BOLT SET  | *   | *  | *  | 1  | 3   | FKH046     | BOTTOM CASE ASSY  | *   | *  | *  | 1  |
| 17  | FKE436     | FIXING NUT SET   | *   | *  | *  | 1  | 3b  | FAA388-10  | OIL WIPER         | *   | *  | *  | 1  |
| 18  | FEG201     | REBOUND KNOB     | *   | *  | *  | 1  | 3c  | FAA390     | DUST SEAL         | *   | *  | *  | 2  |
| 19  | FAA069-25  | 15QLC32 AXLE SET | *   | *  | *  | 1  | 3d  | FAA199     | MOUNT CAP         | *   | *  | *  | 3  |
|     |            |                  |     |    |    |    | 4   | FEE797     | BRAKE HOSE GUIDE  | *   | *  | *  | 1  |
|     |            |                  |     |    |    |    | 5   | FSB153     | GUIDE FIXING BOLT | *   | *  | *  | 1  |
|     |            |                  |     |    |    |    |     | FKE554-05  |                   | *   |    |    | 1  |
|     |            |                  |     |    |    |    | 6   | FKE554-15  | SUPPORT TUBE ASSY |     | *  |    | 1  |
|     |            |                  |     |    |    |    |     | FKE554-25  |                   |     | *  |    | 1  |
|     |            |                  |     |    |    |    | 7   | FEG211     | FORK NOSE         | *   | *  | *  | 1  |
|     |            |                  |     |    |    |    | 8   | FEP687     | BOTTOM BUMPER     | *   | *  | *  | 1  |
|     |            |                  |     |    |    |    | 9   | FEG360-20  | BOTTOM STOPPER    | *   | *  | *  | 1  |
|     |            |                  |     |    |    |    | 10  | FEE262-80  | SPRING GUIDE      | *   | *  | *  | 1  |
|     |            |                  |     |    |    |    |     | FEP786-01  |                   | *   |    |    | 1  |
|     |            |                  |     |    |    |    | 11  | FEP787-01  | MAIN SPRING       |     | *  |    | 1  |
|     |            |                  |     |    |    |    |     | FEP788-01  |                   |     | *  |    | 1  |
|     |            |                  |     |    |    |    | 12  | FEP789     | DAMPER            | *   | *  | *  | 1  |
|     |            |                  |     |    |    |    | 13  | FKE015-15  | ADJUSTER ASSY     | *   | *  | *  | 1  |