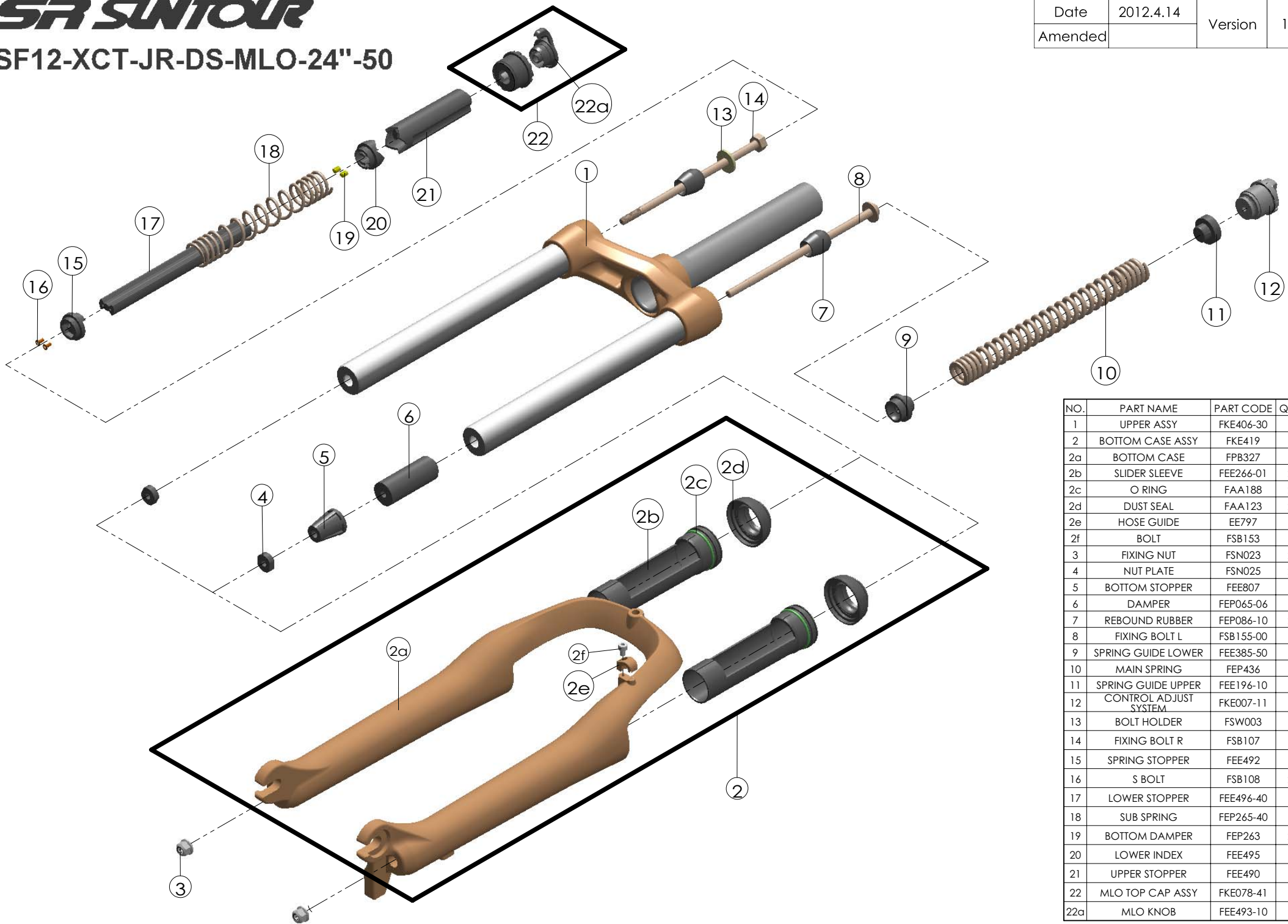


Date	2012.4.14	Version	1
Amended			



NO.	PART NAME	PART CODE	QTY.
1	UPPER ASSY	FKE406-30	1
2	BOTTOM CASE ASSY	FKE419	1
2a	BOTTOM CASE	FPB327	1
2b	SLIDER SLEEVE	FEE266-01	2
2c	O RING	FAA188	2
2d	DUST SEAL	FAA123	2
2e	HOSE GUIDE	EE797	1
2f	BOLT	FSB153	1
3	FIXING NUT	FSN023	2
4	NUT PLATE	FSN025	2
5	BOTTOM STOPPER	FEE807	1
6	DAMPER	FEP065-06	1
7	REBOUND RUBBER	FEP086-10	2
8	FIXING BOLT L	FSB155-00	1
9	SPRING GUIDE LOWER	FEE385-50	1
10	MAIN SPRING	FEP436	1
11	SPRING GUIDE UPPER	FEE196-10	1
12	CONTROL ADJUST SYSTEM	FKE007-11	1
13	BOLT HOLDER	FSW003	1
14	FIXING BOLT R	FSB107	1
15	SPRING STOPPER	FEE492	1
16	S BOLT	FSB108	2
17	LOWER STOPPER	FEE496-40	1
18	SUB SPRING	FEP265-40	1
19	BOTTOM DAMPER	FEP263	2
20	LOWER INDEX	FEE495	1
21	UPPER STOPPER	FEE490	1
22	MLO TOP CAP ASSY	FKE078-41	1
22a	MLO KNOB	FEE493-10	1